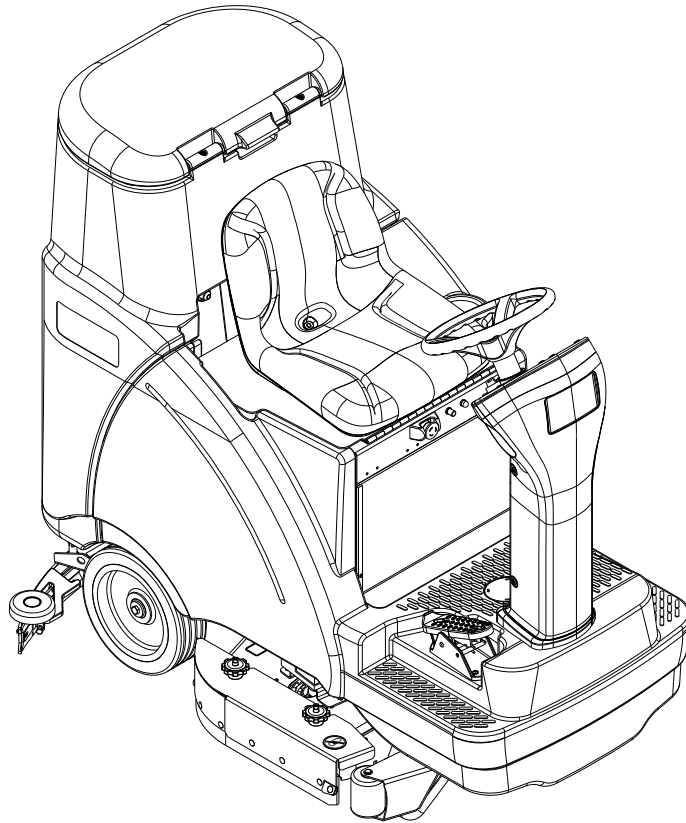

Clarke[®]

FOCUS[®] II RIDER

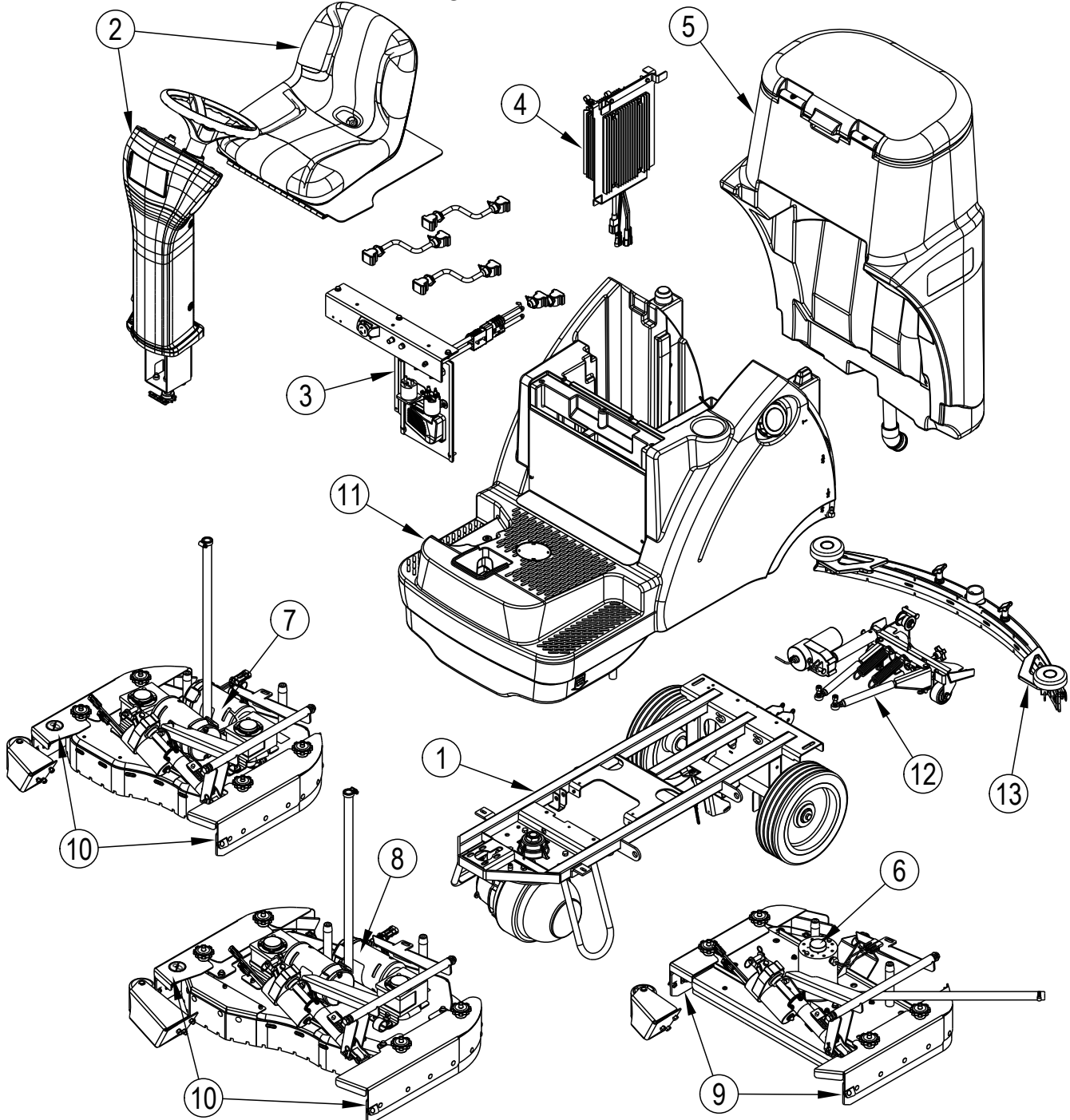
AUTOSCRUBBER[®]



Parts List

Models: 56114000 (28D), 56114001 (34D OBC), 56114002 (34D)
56114003 (28B), 56114009 (28B OBC), 56114010 (28D OBC)

GENERAL VIEW



Item	Ref. No.	Qty	Description
1		1	Chassis System
2		1	Control System
3		1	Electrical System
4		1	Onboard Charger Assembly
5		1	Recovery System
6		1	Scrub System-28 BOOST
7		1	Scrub System-28D
8		1	Scrub System-34D
9		1	Scrub System – BOOST Skirt Assemblies
10		1	Scrub System – 28-34 Disk Skirt Assemblies
11		1	Solution System
12		1	Squeegee Mount System
13		1	Squeegee Assy

TABLE OF CONTENTS

DESCRIPTION	PAGE
Chassis System	2-3
Control System	4-5
Decal System.....	6-7
Electrical System	8-9
Onboard Charger Assembly	10-11
Recovery System.....	12-13
Scrub System-28 BOOST - 1.....	14-15
Scrub System-28 BOOST - 2.....	16-17
Scrub System-28D.....	18-19
Scrub System-34D.....	20-21
Scrub System – BOOST Skirt Assemblies.....	22-23
Scrub System – 28-34 Disk Skirt Assemblies.....	24-25
Solution System.....	26-27
Squeegee Mount System	28-29
Squeegee Assy-28 Inch.....	30
Squeegee Assy-34 Inch.....	31
Ladder Diagram-1.....	32-33
Ladder Diagram-2.....	34-35
Optional Kits and Accessories	36
Brush Selector Guide-Disk	37
Pad Selector Guide.....	38
Squeegee Blade Selector Guide	39

WHEN ORDERING PARTS

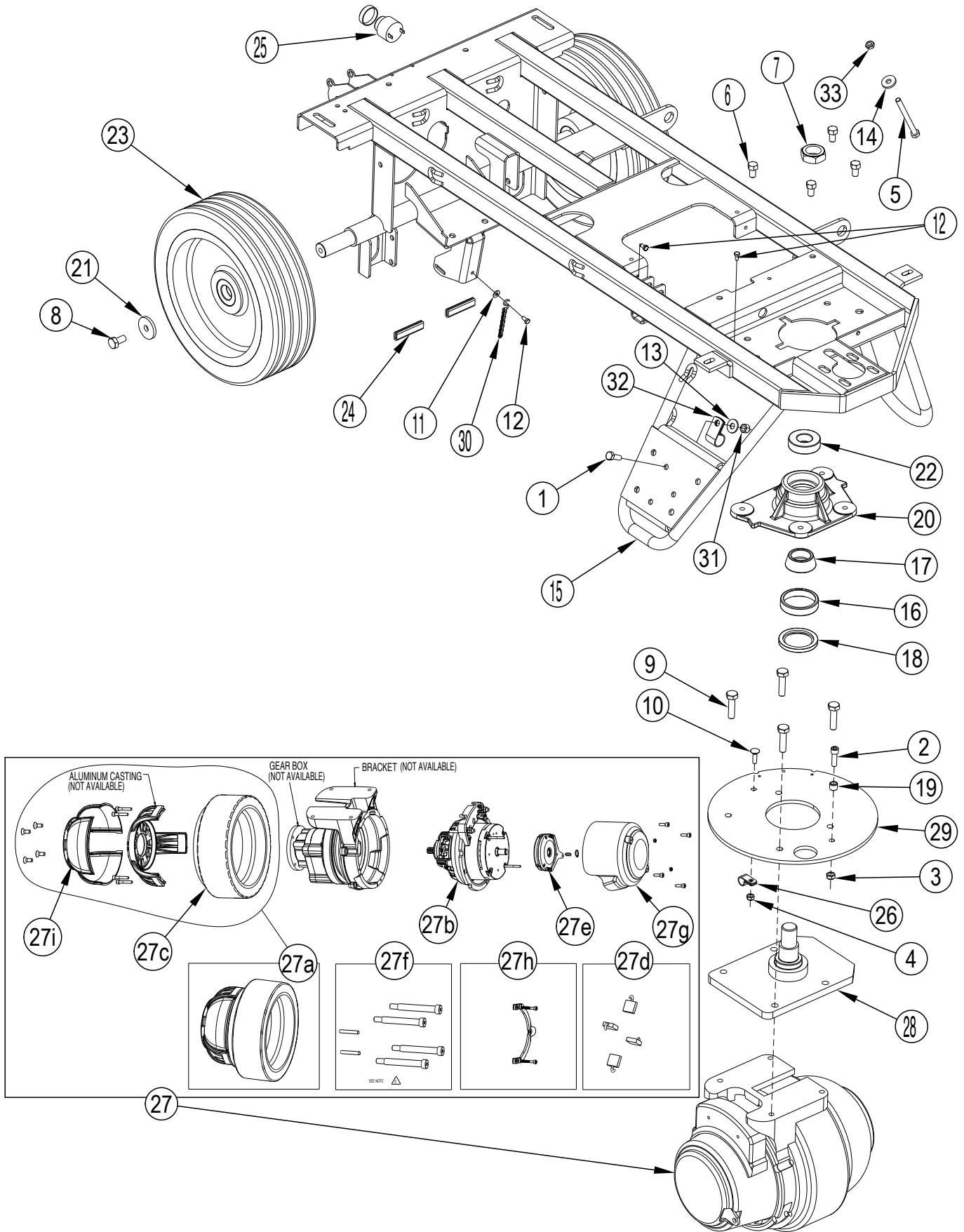
- * Use the part numbers from the “Ref. No.” columns in this parts list. If the “Ref. No.” column is blank; look under the “Kit” column to identify which kit contains the part in question, then use the kit callout, for example “K1”, to find the “Ref. No.” for that kit.

Kit	Item	Ref. No.	Qty	Description
K1	1		16	Washer Flat 3/16 Zinc Plat
K1	2		2	Screw-BHS-Brass-10-32x3/8-MS
K1	3		3	Washer EPDM 7/32 X 1/8
	4	805	1	Chain-Cover
	5	905	2	Caster Swivel 4 Gray Non MA
K1	6		2	Nut, Hex Nyl Loc 10-24
K1	7		3	Scr- Hex SS 1/4-20 X .75
K1	8		16	Scr, Hex Hd Loc 1/4-20 x .50
K1	9		3	Wsh, Flt SS .260 X 1.000 X .074
	10	56113012	1	Solution Tank
	11	56113034	2	Hinge Plate
K1		56113103	1	Kit-Hardware Solution Tank

- * Specify the model and serial number of the machine.
- * Use the space below to record the model and serial number for future reference.

Model _____ Serial No. _____

CHASSIS SYSTEM

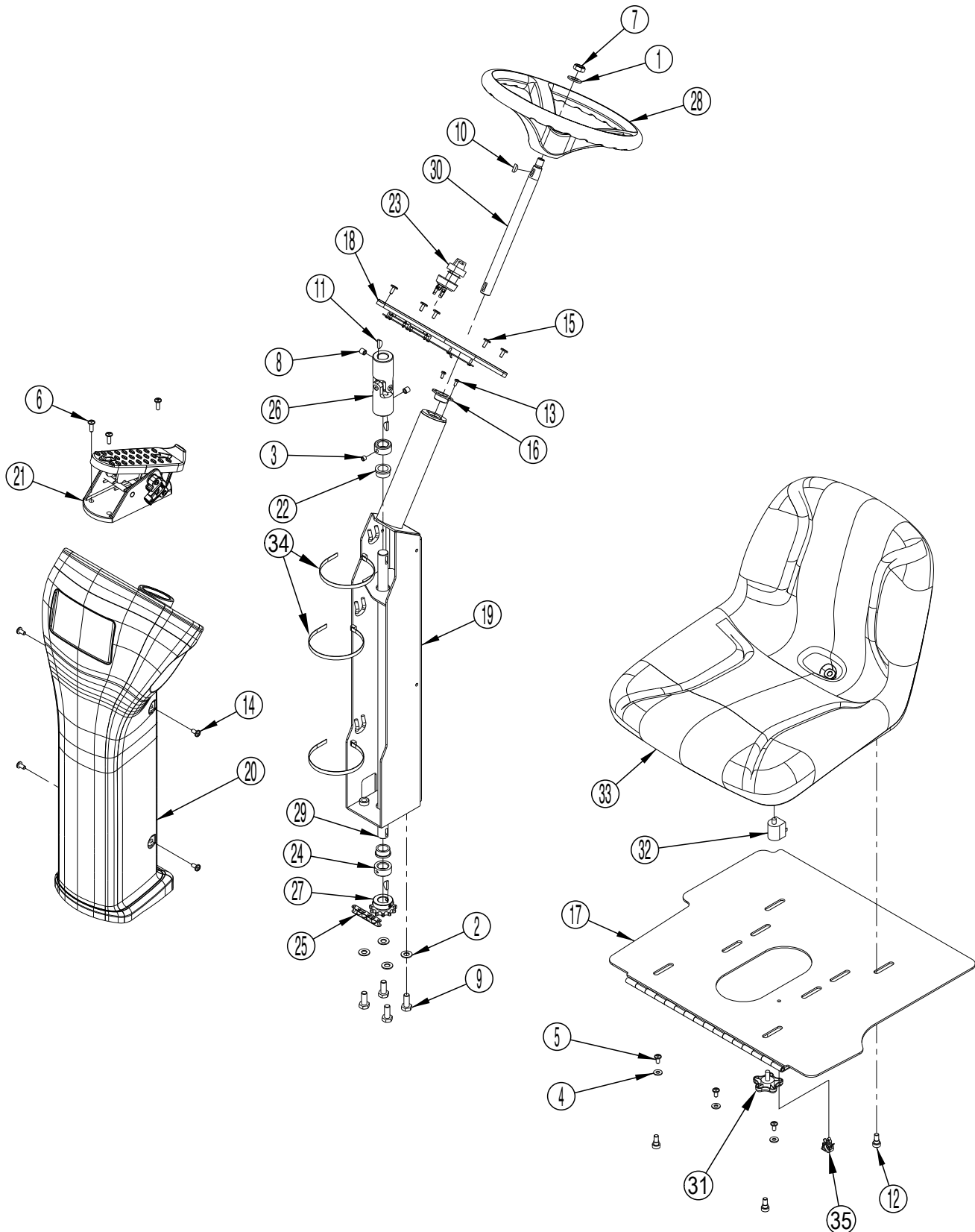


CHASSIS SYSTEM

Kit	Item	Ref. No.	Qty	Description
K4	1		1	Scr-Hex 5/16-18 X .88
K1	2		1	Scr, Soc Hd 5/16-18 X 1.00
K1	3		1	Nut, Hex Nyl Loc-Thin
K1	4		1	Nut, Hex Nyl Loc-Thin
K4	5		1	Scr, Hex Thd To Hd 5/16-18 X 3.50
K6	6		4	Scr, Hex Hd Loc
K2	7		1	Nut, Hex Nyl Loc-Thin 1-14
	8	56003442	2	Scr, Hex Loc M10-1.5 X 20mm
K1	9		4	Scr-Hex M10-1.5 X 40mm
K1	10		1	Scr-Carriage 1/4-20 X .88
K3	11		1	Wsh, Int Shprf #10
K3	12		3	Scr, Hex Thd Form 10-24 X .38
K4	13		1	Wsh, Flt Std 5/16
K4	14		1	Wsh, Flt .344 X .938 X .125
	15	56114199	1	Chassis Weldment
K5, K6	16		1	Bearing Cup
K5, K6	17		1	Bearing Cone
K5, K6	18		1	Seal, Shaft
K1	19		1	Bushing
K6	20		1	Block, Bearing
	21	56367117	2	Wsh, Flt .406 X 1.5 X .1875
K5, K6	22		1	Bearing Ball
	23	56382693	2	Wheel
	24	56412122	2	Trim Edge
	25	56412177	1	Horn/Backup Alarm (H1)
K1	26		1	Clamp-P
	27	56601050	1	Motor / Drive Wheel (M1)
	27a	56601472	1	Kit, Drive Motor Tire W/Hub (for 56601050)
	27b	56601473	1	Replacement Motor, Drive Motor (for 56601050)
	27c	56601471	1	Tire (for 56601050) NOTE 1
	27d	56601509	1	Carbon Brush Kit (for 56601050)
	27e	56601507	1	Brake, Electromagnetic (for 56601050) (Y1)
	27f	56422174	1	Tire Puller Kit (for 56601050)
	27g	56601506	1	Drive Motor Cover (for 56601050)
	27h	56380310	1	Kit, Brake Lever (for 56601050)
	27i	56504481	1	Cover, Gearbox Motor (for 56601050)
K2	28		1	Spindle Weldt
K1	29		1	Plate, Steering
K3	30		1	Ground Chain
K4	31		1	Nut, Hex Nyl Loc 5/16-18
K4	32		1	Clamp-P
K4	33		1	Nut, Hex Jam 5/16-18
	K1	56114271	1	Plate Kit-Steering
	K2	56114272	1	Spindle Kit-Motor
	K3	56114274	1	Chain Kit-Ground
	K4	56114348	1	Hardware Kit-Chassis System
	K5	56344181	1	Bearing Kit-Spindle
	K6	56344188	1	Bearing Block Assembly

NOTE 1: Puller Kit 56422174 is required in order to replace the tire only.

CONTROL SYSTEM



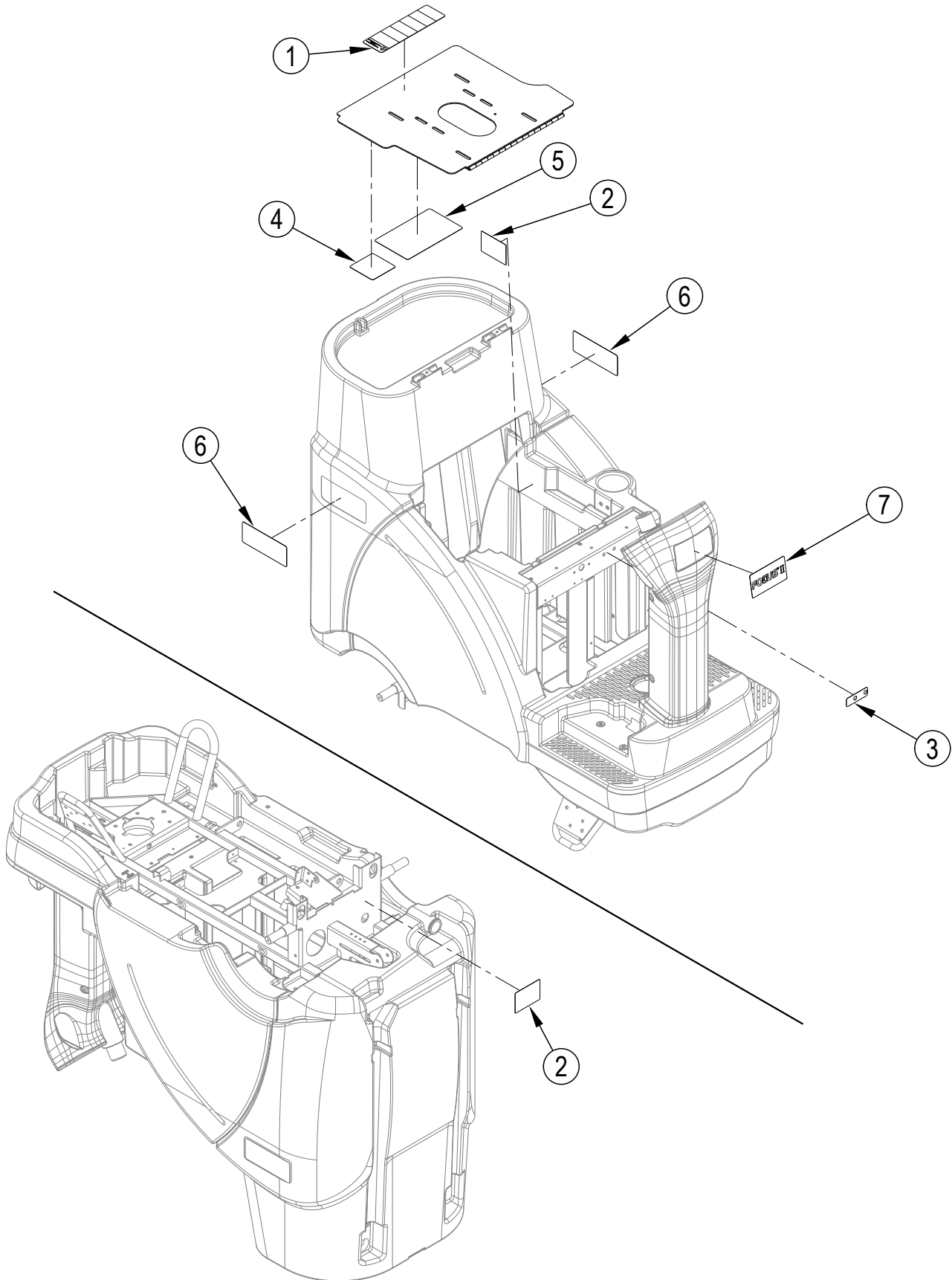
CONTROL SYSTEM

Kit	Item	Ref. No.	Qty	Description
K2	1		1	Wsh-Fit SAE 1/2
K6	2		4	Wsh, Fit SAE 3/8
K5	3		2	Scr, Soc Set Loc 5/16-18 X .25
K7	4		3	Wsh, Fit SAE 1/4
K7	5		3	Scr-Pan Phil 1/4-20 X .50
K4	6		3	Scr-Pan Phil 1/4-20 X .75
K2	7		1	Nut, Hex Nyl Loc-Thin
K5	8		2	Scr, Soc Set Loc 3/8-16 X .38
K6	9		4	Scr, Hex Thd To Hd M10-1.5 X 25mm
K2	10		1	Key, Wdf .62 X .19
K5	11		3	Key, Wdf .75 X .19
K7	12		3	Scr-Soc Shd .38 X .25 X 5/16-18
K5	13		2	Scr, Pan Phil Thd Form 8-32 X .38
K5	14		4	Scr, Pan Phil Thd Form 1/4-20 X .50
K3,K8	15		5	Scr, Truss Phil-Blk 10-24x.50
K5	16		1	Bushing
	17	56114054	1	Seat Panel Weldt
K3	18		1	User Interface Panel Assembly (A1) NOTE 1
K8			1	UI Panel Assy-BOOST (A1) NOTE 2
	19	56114098	1	Steering Column Weldt
	20	56114150	1	Shroud-Column
K4	21		1	Foot Pedal Assy
K5	22		2	Bearing, Flange
	23	56303553	1	Key Switch Assembly (S1)
K5	24		2	Collar, Shaft
	25	56412198	1	Chain, Roller
	26	56454081	1	Universal Joint
K5	27		1	Sprocket
	28	56601060	1	Steering Wheel
	29	56601223	1	Shaft, Lower Steering
K2	30		1	Shaft, Upper Steering
K7	31		1	Knob, 5/16 Stud
K1	32	7-82-00050	1	Switch (S2)
K1	33		1	Seat
	34	56477613	3	Tie, Cable
	35	56386407	1	Clip, Conduit
	K1	56109292	1	Seat Kit
	K2	56114298	1	Shaft Kit-Upper Steering
	K3	56114299	1	User Interface Panel Kit NOTE 1
	K8	56114376	1	UI Panel Interface Kit-BOOST NOTE 2
	K4	56114300	1	Foot Pedal Kit
	K5	56114302	1	Hardware Kit-Steering Column
	K6	56114303	1	Hardware Kit-Steering Mount
	K7	56114304	1	Hardware Kit-Seat

NOTE 1: Used on all models except BOOST.

NOTE 2: Used on BOOST models only.

DECAL SYSTEM

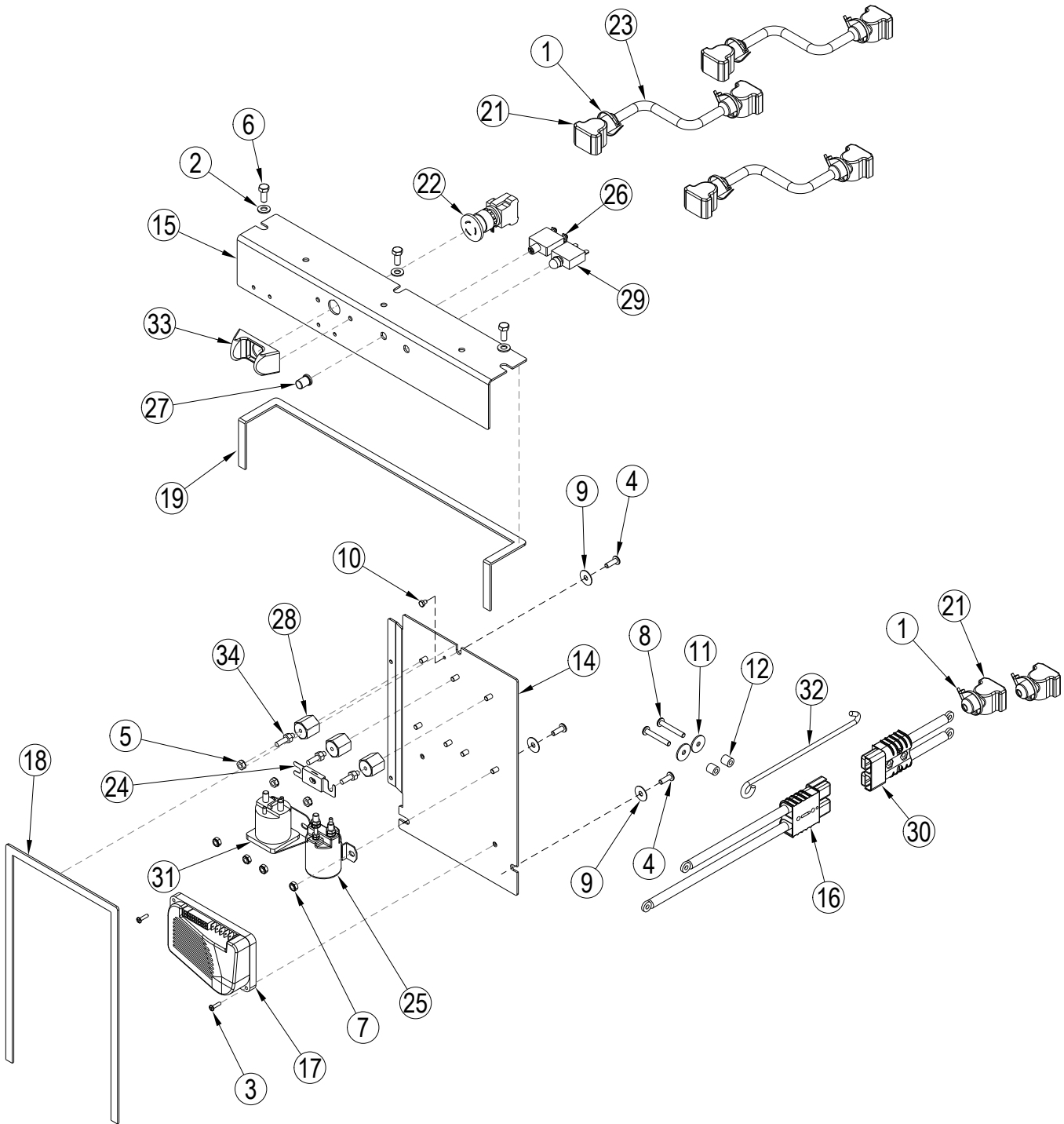


DECAL SYSTEM

Kit	Item	Ref. No.	Qty	Description
K1	1		1	Decal, Caution
	2	NA	2	Serial Plate Data Table
K1	3		1	Decal, Circuit Breaker
K1	4		1	Decal-Battery Wiring
K1	5		1	Decal-Error Codes
K1	6		2	Decal Clarke
K1	7		1	Front Decal Focus II
	#8			Deleted
K1	56114322		1	Decal Kit-Focus Rider

= Revised or new since last update

ELECTRICAL SYSTEM



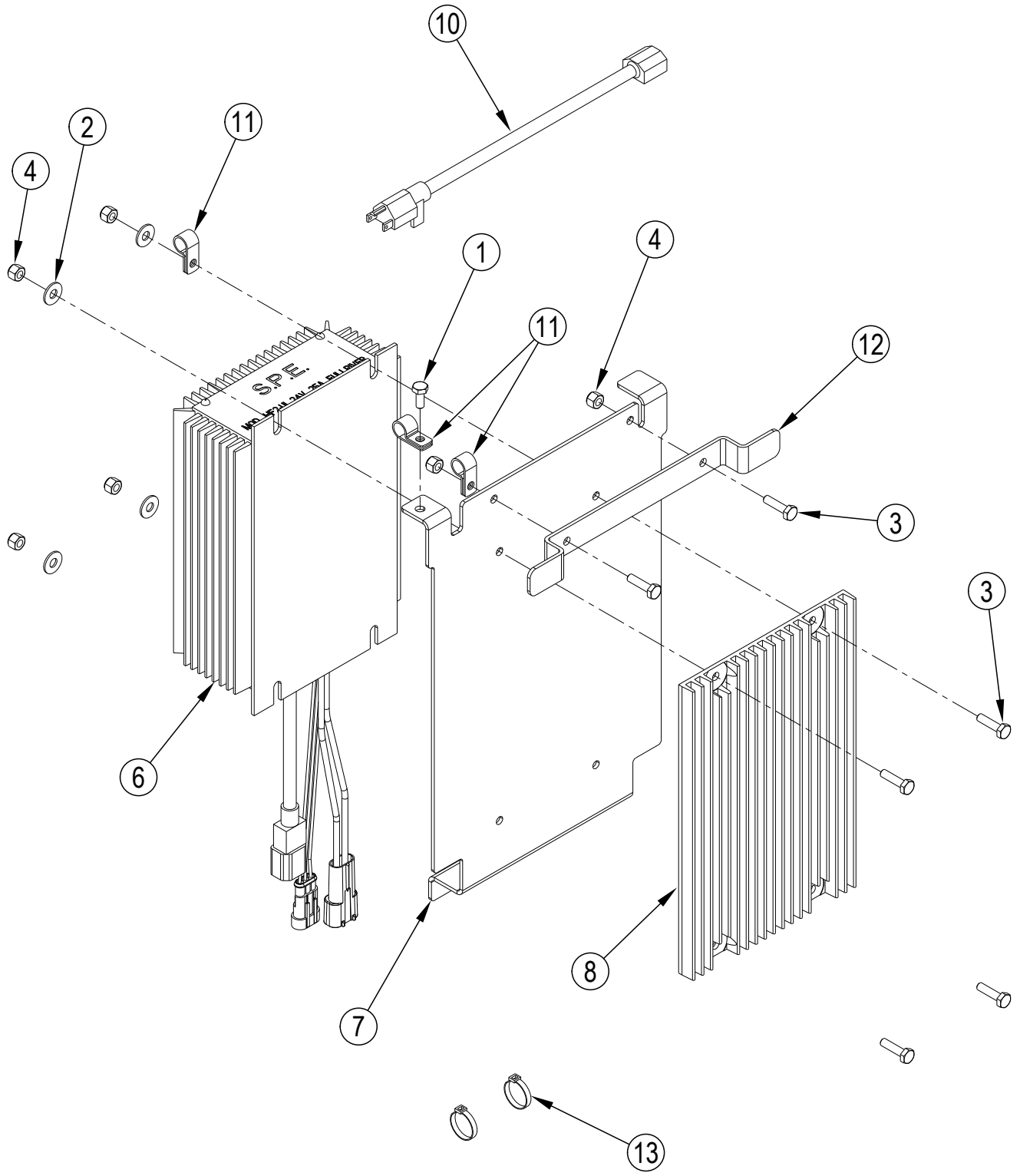
ELECTRICAL SYSTEM

Kit	Item	Ref. No.	Qty	Description
K5	1		8	Cable Tie
K6	2		3	Wsh, Flt SAE 5/16
K6	3		2	Scr-Pan Phil 8-32 X .62
K6	4		3	Scr-Pan Phil 1/4-20 X .75
K2	5		3	Nut, Hex W/ Shprf 1/4-20
K6	6		3	Scr-Hex 5/16-18 X .75
K6	7		4	Nut, Hex Nyl Loc-Thin 1/4-20
K3	8		2	Scr-Pan Phil 1/4-20 X 1.75
K6	9		3	Wsh-Flt .281 x .875 x .036
K6	10		1	Scr, Hex Thd Form 10-24 X .25
K3	11		2	Wsh, Flt SS .260 X 1.000 X .074
K3	12		2	Spacer, Phenolic
	[13]	56114063	1	Harness-Main
	14	56114163	1	Panel-Electrical
	15	56114164	1	Panel-Switch
	16	56114201	1	Harness-Power (machine)
	17	56114234	1	Controller-Speed (A2)
	18	56114255	1	Gasket-.25 X .50 X .37.38
	19	56114256	1	Gasket-.25 X .50 X 31.50
	[20]	56344205	1	Harness-Traction
K5	21		8	Boot-Battery Post
K1	22		1	Disconnect, Emergency (S4)
K5	23		3	Cable ,Battery
K2	24		1	Fuse, 150 Amp (F1)
	25	56412179	1	Contacto, 24 VDC (K2) (Brush)
K4	26	56454429	1	Circuit Breaker, 70 Amp (CB1) (Traverse)
K4	27		1	Boot, Reset Button
K2	28		3	Electrical Mount
K4	29	56507644	1	Circuit Breaker, 10 Amp (CB2) (Key Switch)
	30	56601172	1	Connector Assy (Battery)
	31	56601183	1	Contacto 24V, 100 Amp (K1) (Vacuum)
K3	32		1	Prop Rod, Seat
K1	33		1	Emergency Button Guard
K2	34		3	Stud, 1/4-20
	# []	56389265	2	Rectifier Assembly
	K1	56114293	1	E-Stop Kit
	K2	56114294	1	Standoff and Breaker Kit
	K3	56114295	1	Prop Rod Kit
	K4	56114296	1	Circuit Breaker Kit
	K5	56114297	3	Battery Cable Kit
	K6	56114351	1	Hardware Kit-Elec System

[] = Not Shown

= Revised or new since last update

ONBOARD CHARGER ASSEMBLY

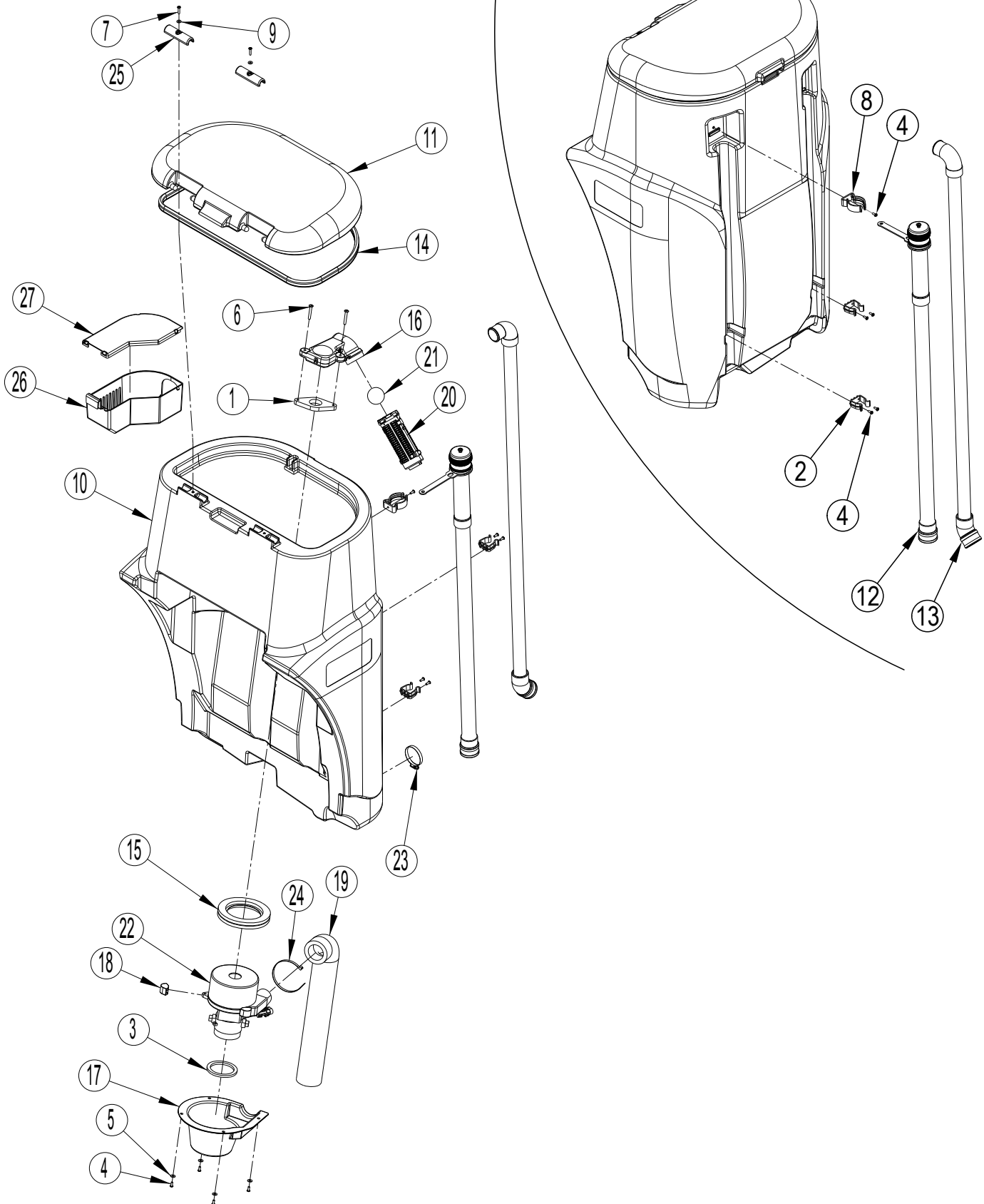


ONBOARD CHARGER ASSEMBLY

Item	Ref. No.	Qty	Description
1	56001836	1	Scr-Hex 1/4-20 X .62
2	56001906	4	Wsh, Flt Std 1/4
3	56002093	6	Scr-Hex 1/4-20 X 1.00
4	56002708	6	Nut, Hex Nyl Loc 1/4-20
[5]	56090108	1	Instruction Sheet
6	56112544	1	Battery Charger 24v 25A
7	56114165	1	Panel-OBC Mount
8	56114183	1	Heat Sink
[9]	56114244	1	Harness-Charger
10	56315270	1	Charger Cord, US
11	56486112	3	Clamp-P
12	61598A	1	Bracket, Cord Wrap
13	2-00-04345	2	Tye Rap

[] = Not Shown

RECOVERY SYSTEM

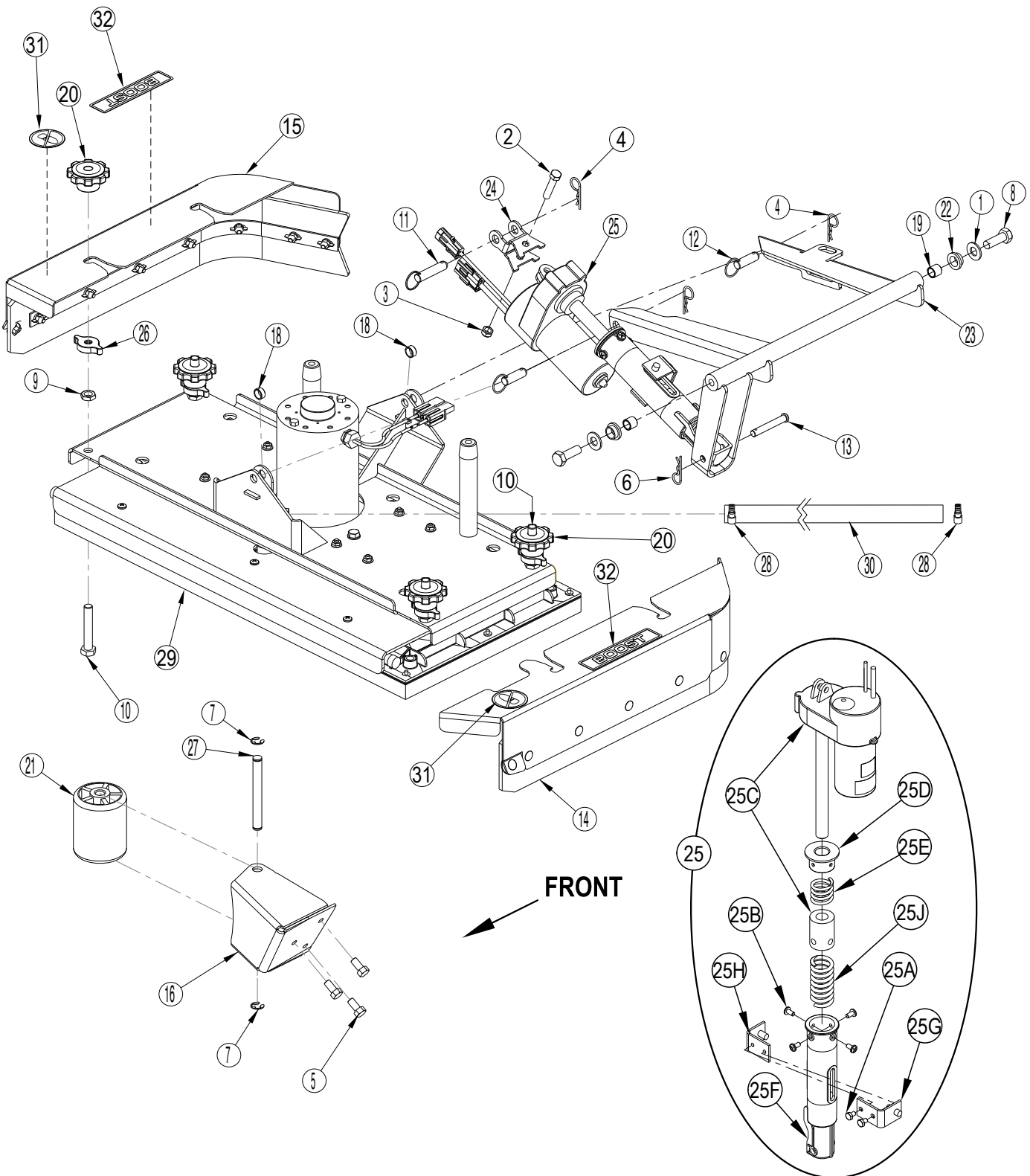


RECOVERY SYSTEM

Kit	Item	Ref. No.	Qty	Description
	1	56114327	1	Gasket-Air Duct
K3	2		2	Clamp, Plastic
K2	3	56412154	1	Gasket, Vacuum Duct
K3, K4	4		9	Scr-Pan Phil 10-24 X .50
K4	5		4	Wsh, Flt Std #10
K4	6		2	Scr, Pan Phil SS 1/4-20 X 175
K4	7		2	Scr-Pan Phil 10-24 X .88
K3	8		1	Clamp-Hose
K4	9		2	Wsh-Flt SAE SS #10
	10	56114055	1	Tank-Recovery
	11	56114057	1	Cover-Recovery Tank
	12	56114168	1	Drain Hose Assy
	[]	56114344	1	Cap Kit-Drain Hose
	13	56114171	1	Recovery Hose Assy
	14	56114185	1	Gasket-Recovery Tank
K2	15	56114233	1	Seal Assy-Vac Fan
	16	56302142	1	Float Duct
	17	56315102	1	Shroud, Vac Motor
K2	18		3	Mount, Vibration
K2	19		1	Foam Tube Assembly
K1	20		2	Cage, Float
K1	21		1	Ball, Float
K2	22		1	Motor, Vac 24VDC (M5)
	[]	56380529	1	Carbon Brush Set of 2 (for Vac Motor)
K3	23		1	Clamp- Hose SAE #32
K2	24		1	Tie, Cable
	25	56601128	2	Hinge Clamp
K5	26		1	Strainer Basket
K5	27		1	Cover, Debris
	K1	56112303	1	Kit-Float Ball Cage
	K2	56114278	1	Vac Motor Kit
	K3	56114279	1	Hose Clamp Kit-Drain
	K4	56114350	1	Hardware Kit-Recovery System
	K5	56601086	1	Kit Debris Tray

[] = Not Shown

SCRUB SYSTEM-28 BOOST - 1



FRONT

SCRUB SYSTEM-28 BOOST - 1

Kit	Item	Ref. No.	Qty	Description
K13, K26	1		2	Wsh-Fit SAE 1/2
K10	2		1	Scr-Hex 3/8-16 X 1.75
K10	3		1	Nut, Hex Nyl Loc-Thin
K10,K13,K26	4		3	Pin, Cotter Hair
K14	5		3	Scr-Hex Hd Loc 3/8-16x.75
K10	6		1	Pin, Cotter Hair .0915 X .375
	7	56003264	2	Ring, Ret Ext Type E 0.50 Dia
K13, K26	8		2	Scr, Hex Loc M12-1.75 X 35mm
	9	56003657	4	Nut, Hex Jam SS M12-1.75
	10	56003658	4	Scr, Hex Thd To Hd SS M12-1.75 X 70mm
K10	11		1	Pin, Ring .50 X 1.63
K13, K26	12		2	Pin, Ring .500 X 1.18
K10	13		1	Pin- Clevis SS .375 X 2.50
	14	56114143	1	Left Skirt Assy NOTE 1
	15	56114146	1	Right Skirt Assy NOTE 1
K14	16		1	Roller Brkt Weldt-28
	[]	56114200	1	Connector-Adaptor
K13	18		2	Bushing .50 x .62 x .27
K13, K26	19		2	Bushing
	20	56380149	4	Knob - M12-1.75 Thru
	21	56407006	1	Wheel, Roller
K13, K26	22		2	Bearing, Flange
K13	23		1	Deck Linkage, Weldment
K10	24		1	Yoke, Actuator
	#25	56114369	1	Lift Actuator Assembly
	25A	56009019	2	Scr, Hex Thd Form 1/4-20 X .38
	25B	56009062	4	Scr, Pan Phil Thd Form 1/4-20 X .50
	#25C	56114362	1	Actuator, Motor (M4)
	25D	56396268	1	Spring Housing Guide
	25E	56412071	1	Compression Spring
	25F	56412262	1	Housing Spring
	25G	56420019	1	Nut Retainer
	25H	56420020	1	Nut Retainer
	25J	56601470	1	Compression Spring
	26	56601578	4	Knob
	27	56601580	1	Pin
K21	#28		2	Clamp, Hose
	29	56114126	1	BOOST Deck Assy NOTE 2
K21	30		1	Hose, Solution
	#31	56016163	2	Decal, No Step
	#32	56381702	2	BOOST Label
	K10	56114290	1	Hardware Kit-Actuator
	K13	56114307	1	Lift Kit-Deck
	K14	56114309	1	Roller Mount Kit-RT 28D
	K21	56114318	1	Hose Kit-Solution Boost
	K26	56344180	1	Hardware Kit-Deck Linkage

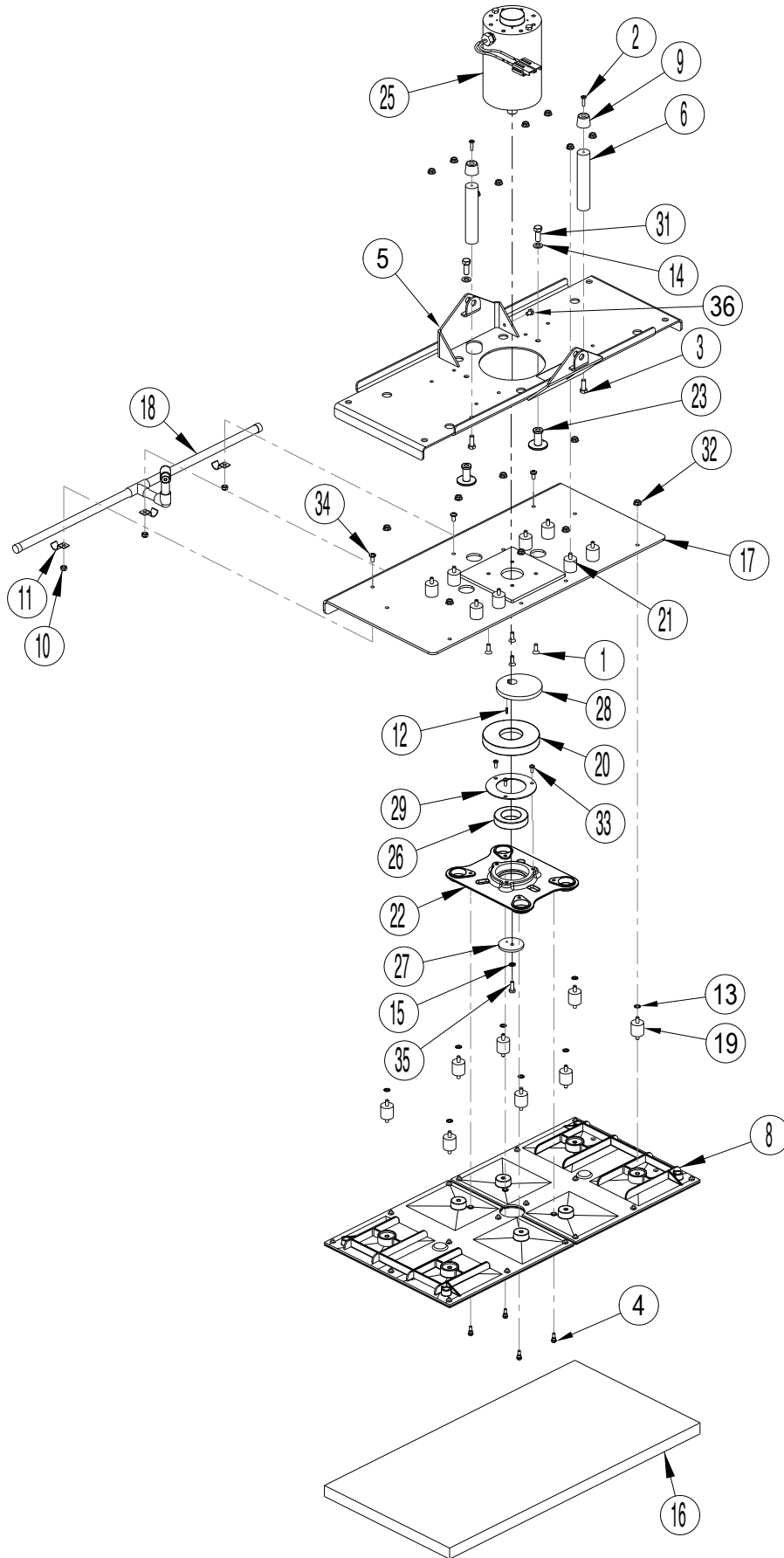
[] = Not Shown

= Revised or new since last update

NOTE 1: See "Scrub System - BOOST Skirt Assemblies".

NOTE 2: See "Scrub System-28 BOOST - 2"

SCRUB SYSTEM-28 BOOST - 2



SCRUB SYSTEM-28 BOOST - 2

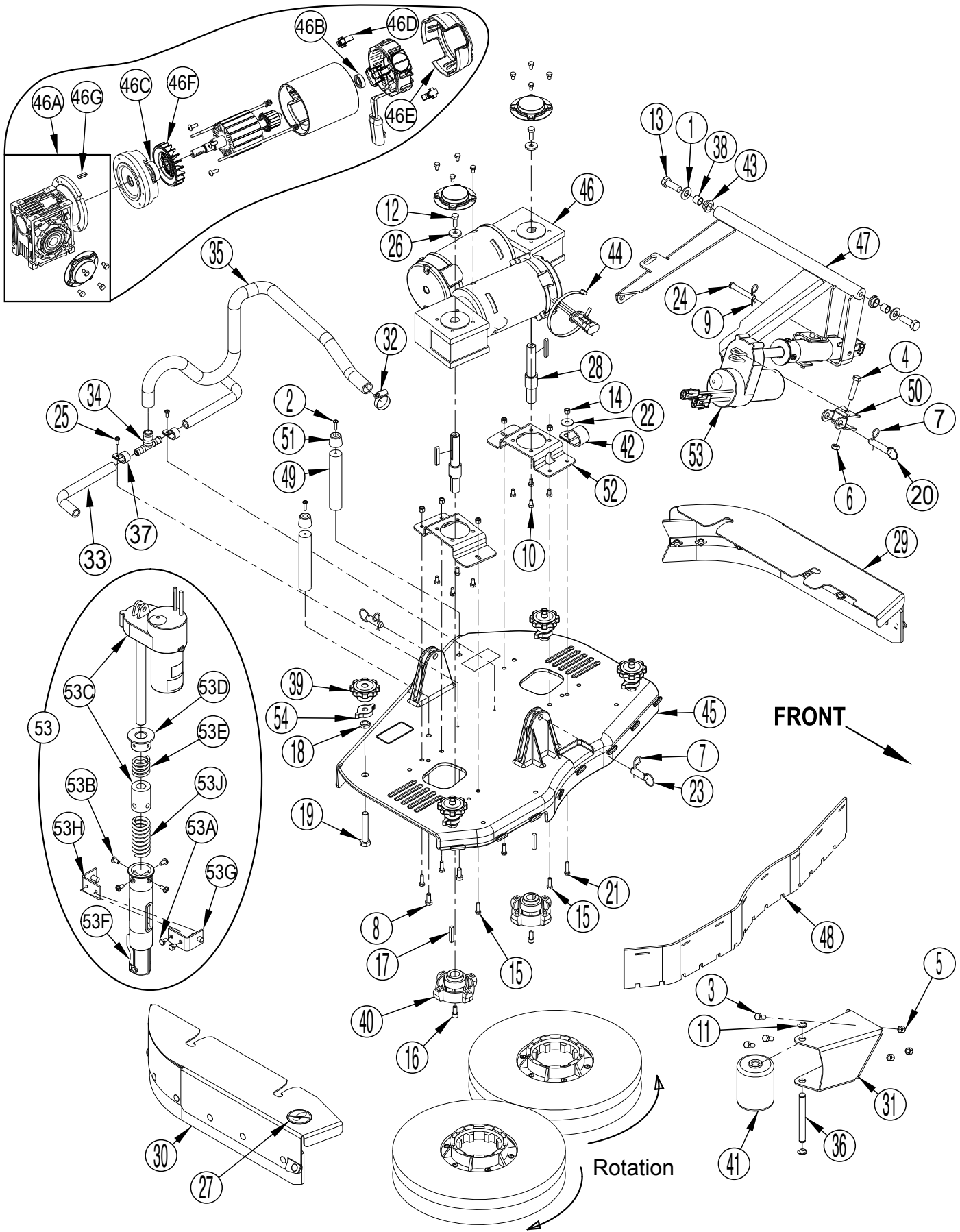
Kit	Item	Ref. No.	Qty	Description
	1	56001881	4	Scr-Fit Soc 1/4-20 X .75
	2	56002192	2	Scr-Pan Phil 10-24 X .75
	3	56003335	2	Scr-Hex Loc SS 5/16-18 X .88
K1	#4		4	Shoulder Bolt - BOOST
	5	56114133	1	Plate Weldment
	6	56114189	2	Rod-Up Stop
	#7			Deleted
K1	8		2	Flex Plate Assy 28
	9	56601388	2	Up Stop Mount
	10	81217A	3	Nut, 1/4-20 Hex ESNA
	11	782002	3	Clamp, Manifold
K1, K3	12		1	Pin, Roll
K1, K2	13		8	Washer, 1/4" Starlock, External
	14	980638	2	Washer, 3/8 Lock
K1	15		1	Washer, Lock 1/4
	16	997001	1	Pad, Red, 28" (case of 5) NOTE 1
	17	56114127	1	Boost Plate Weldt-28
	18	56114130	1	Manifold Assy
K1, K2	19		8	Isolator-30 Duro 1/4-20
K1, K3	20	56380192	1	Shield Boost Bearing
K1, K2	21		8	Isolator-40 Duro 1/4-20
K1	22		1	Plate Driver
	23	56381532	2	Stud Stabilizer Short
	#24			Deleted
	25	56390072	1	Motor 24VDC (M8)
	[]	56412287	1	Carbon Brush Set of 4
K1	26	50736A	1	Bearing
K1	27		1	Retainer, Eccentric
K1, K3	28		1	Eccentric
K1	29		1	Retainer, Bearing
	#30			Deleted
	31	80103A	2	Screw 3/8-24 X 1 Hex Head
K1, K2	32		16	Nut, Serrated Flange
K1	33		3	Screw, 10-32 X .50 P.H.
	34	85395A	3	Screw, 1/4-20 X 1/2" P.H.
K1	35		1	Scr-Hex 1/4-20 X .75
	36	56009019	1	Scr, Hex Thd Form 1/4-20 X .38
	K1	56380210	1	Kit Flex Plate 28
	K2	56380235	1	Isolator Kit Boost 28 & 32
	K3	56380246	1	Kit Eccentric & Shield

[] = Not Shown

= Revised or new since last update

NOTE 1: See the page at the end of this manual labeled "PAD SELECTOR GUIDE-BOOST" for additional pads and suggested applications.

SCRUB SYSTEM-28D



SCRUB SYSTEM-28D

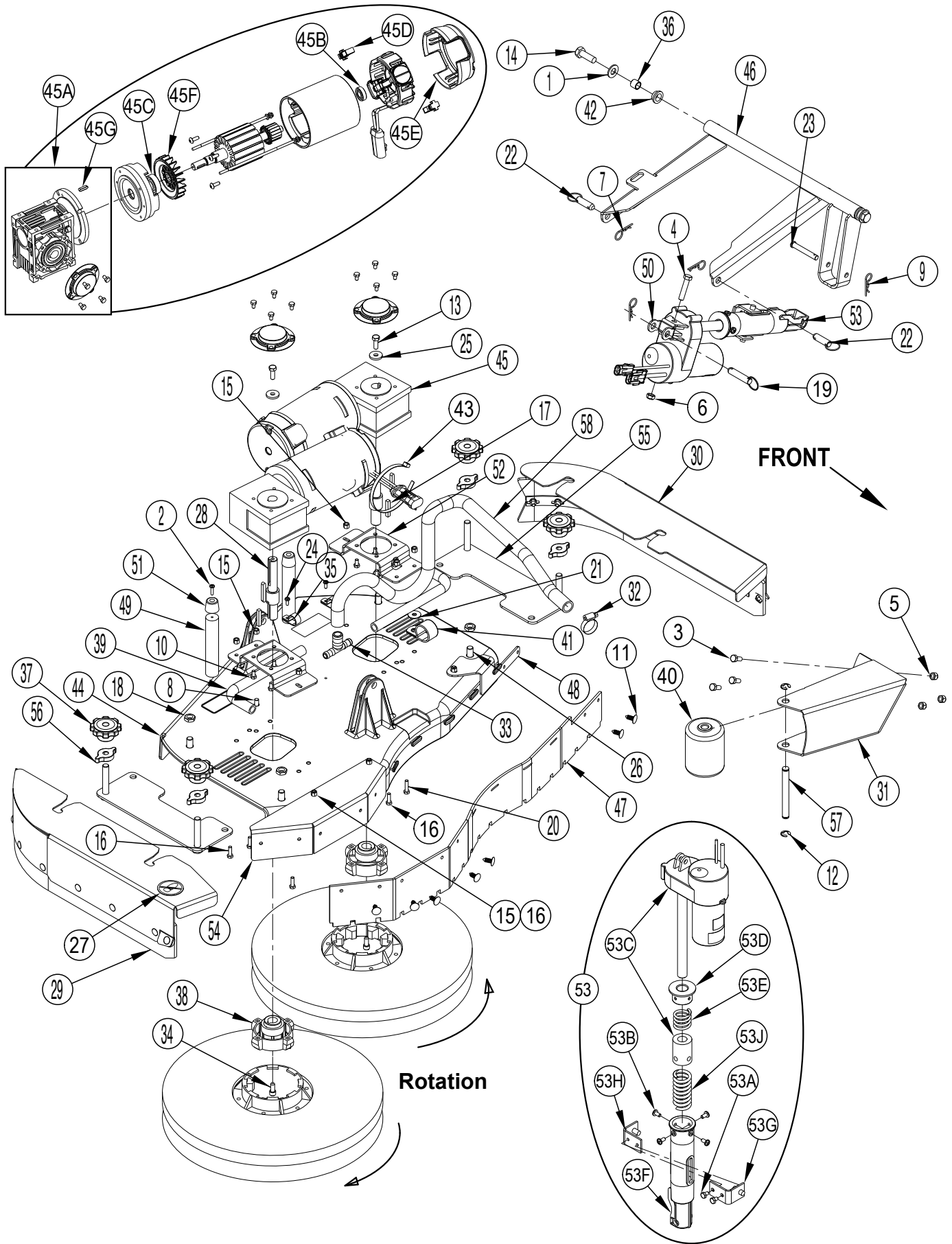
Kit	Item	Ref. No.	Qty	Description	Kit	Item	Ref. No.	Qty	Description
K13, K26	#1		2	Wsh-Fit SAE 1/2	K4	41		1	Wheel, Roller
K24	2		2	Scr-Pan Phil 10-24 X .75	K24	42		1	Clamp, 1.25 Hose Support
K14	3		3	Scr-Hex 5/16-18 X .75	K13, K26	43		2	Bearing, Flange
K10	4		1	Scr-Hex 3/8-16 X 1.75		44	56477613	1	Tie, Cable
K14	5		3	Nut, Hex Nyl Loc 5/16-18		45	56601113	1	Scrub Deck, Cast
K10	6		1	Nut, Hex Nyl Loc-Thin					
K10, K13, K26	7		3	Pin, Cotter Hair	K9	46		2	Motor Gearbox Assy (M7) (M9)
K24	8		2	Scr-Hex SS		46A	56601533	1	Gearbox
K10	9		1	Pin, Cotter Hair .0915 X .375		46B	56601537	1	Bearing (Brush End)
K11	10		8	Scr, Hex SS M6-1 X 12mm		46C	56314580	1	Bearing (Fan End)
K4	11		2	Ring, Ret Ext Type E 0.50 Dia		46D	56601534	2	Carbon Brush
K9	12		2	Scr-Hex Loc SS 5/16-18 X .88		46E	56601508	1	Brush Motor Cover
K13, K26	13		2	Scr, Hex Loc M12-1.75 X 35mm		46F	56601536	1	Motor Fan
K11, K24	14		6	Nut, Hex Nyl Loc SS M6-1		46G	56601535	1	Key, 6mm Square
K11	15		5	Scr, Hex Thd To Hd SS M6-1 X 20mm					
K1	16		2	Screw, Gimbal Mount	K13	47		1	Deck Linkage, Weldt
K2	17		2	Key, Square .25 X 1.44		48	56601248	1	Blade, Front 28 (Gum)
	18	56003657	4	Nut, Hex Jam SS M12-1.75		49	56601289	2	Rod-Up Stop
	19	56003658	4	Scr, Hex Thd To Hd SS M12-1.75 X 70mm	K10	50		1	Yoke, Actuator
K10	20		1	Pin, Ring .50 X 1.63		51	56601388	2	Up Stop Mount
K24	21		1	Scr, Hex Thd To Hd SS M6-1 X 25mm	K11	52		2	Bracket, Motor
K24	22		1	Wsh-Fit SS .33 X 1.00 X .060					
K13, K26	23		2	Pin, Ring .500 X 1.18		#53	56114369	1	Lift Actuator Assembly
K10	24		1	Pin- Clevis SS .375 X 2.50		53A	56009019	2	Scr, Hex Thd Form 1/4-20 X .38
K12	25		2	Scr, Pan Phil Thd Form 10-24 X .50		53B	56009062	4	Scr, Pan Phil Thd Form 1/4-20 X .50
K9	26		2	Wsh, Fit Harden .344 x 1.000 x .120/.135		#53C	56114362	1	Actuator, Motor (M4)
	27	56016163	1	Decal, No Step		53D	56396268	1	Spring Housing Guide
K2	28		2	Shaft-Hub Mount		53E	56412071	1	Compression Spring
	29	56114110	1	Left Skirt Assy-28D NOTE 1		53F	56412262	1	Housing Spring
	30	56114111	1	Right Skirt Assy-28-34D NOTE 1		53G	56420019	1	Nut Retainer
K14	31		1	Roller Brkt Weldt-28		53H	56420020	1	Nut Retainer
K12	32		1	Clamp- Hose SAE #12		53J	56601470	1	Compression Spring
K12	33		2	Hose, Spiral .500					
K12	34		1	Tee, Barb 3/4 X 1/2 X 1/2		54	56601578	4	Knob
K12	35		1	Hose					
K4	36		1	Pin	K1	56114281		2	Gimbal Kit
K12	37		2	Clamp-P	K2	56114282		2	Shaft Kit-Hub Mount
K13, K26	38		2	Bushing	K4	56114284		1	Roller Kit-L/R
	39	56380149	4	Knob - M12-1.75 Thru	K9	56114289		2	Motor Kit-Brush
K1	40		2	Gimbal-Collar Assembly	K10	56114290		1	Hardware Kit-Actuator
					K11	56114291		2	Hardware Kit-Motor Brkt
					K12	56114306		1	Manifold Kit-Solution 28D
					K13	56114307		1	Lift Kit-Deck
					K14	56114309		1	Roller Mount Kit-RT 28D
					K24	56114352		1	Hardware Kit-28D Scrub System
					K26	56344180		1	Hardware Kit-Deck Linkage

[] = Not Shown

= Revised or new since last update

NOTE 1: See "Scrub System - 28-34 Disk Skirt Assemblies".

SCRUB SYSTEM-34D



SCRUB SYSTEM-34D

Kit	Item	Ref. No.	Qty	Description	Kit	Item	Ref. No.	Qty	Description
K13, K26	1		2	Wsh-Fit SAE 1/2	K25	41		1	Clamp, 1.25 Hose Support
K25	2		2	Scr-Pan Phil 10-24 X .75	K13, K26	42		2	Bearing, Flange
K23	3		3	Scr-Hex 5/16-18 X .75		43	56477613	1	Tie, Cable
K10	4		1	Scr-Hex 3/8-16 X 1.75		44	56601113	1	Scrub Deck, Cast
K23	5		3	Nut, Hex Nyl Loc 5/16-18	K9	45		2	Motor Gearbox Assy (M7) (M9)
K10	6		1	Nut, Hex Nyl Loc-Thin		45A	56601533	1	Gearbox
K10,K13,K26	7		3	Pin, Cotter Hair		45B	56601537	1	Bearing (Brush End)
K25	8		2	Scr-Hex SS		45C	56314580	1	Bearing (Fan End)
K10	9		1	Pin, Cotter Hair .0915 X .375		45D	56601534	2	Carbon Brush
K11	10		8	Scr, Hex SS M6-1 X 12mm		45E	56601508	1	Brush Motor Cover
K15	11		7	Rivet, Nylon Tree Push-In (.25)		45F	56601536	1	Motor Fan
K4	12		2	Ring, Ret Ext Type E 0.50 Dia		45G	56601535	1	Key, 6mm Square
K9	13		2	Scr-Hex Loc SS 5/16-18 X .88	K13	46		1	Deck Linkage, Weldt
K13, K26	14		2	Scr, Hex Loc M12-1.75 X 35mm	K15	47		1	Blade,Front 34
K11, K25	15		9	Nut, Hex Nyl Loc SS M6-1		48	56601278	1	Skirt Bracket, Front 34
K11, K25	16		8	Scr, Hex Thd To Hd SS M6-1 X 20mm		49	56601289	2	Rod-Up Stop
K2	17		2	Key, Square .25 X 1.44	K10	50		1	Yoke, Actuator
K25	18		4	Nut, Hex Jam SS M12-1.75		51	56601388	2	Up Stop Mount
K10	19		1	Pin, Ring .50 X 1.63	K11	52		2	Bracket, Motor
K25	20		1	Scr, Hex Thd To Hd SS M6-1 X 25mm		#53	56114369	1	Lift Actuator Assembly
K25	21		1	Wsh-Fit SS .33 X 1.00 X.060		53A	56009019	2	Scr, Hex Thd Form 1/4-20 X .38
K13, K26	22		2	Pin, Ring .500 X 1.18		53B	56009062	4	Scr, Pan Phil Thd Form 1/4-20 X .50
K10	23		1	Pin- Clevis SS .375 X 2.50		#53C	56114362	1	Actuator, Motor (M4)
K16	24		2	Scr, Pan Phil Thd Form 10-24 X .50		53D	56396268	1	Spring Housing Guide
K9	25		2	Wsh, Flt Harden .344 x 1.000 x .120/.135		53E	56412071	1	Compression Spring
K25	26		4	Scr, Hex Thd To Hd M12-1.75 X 25mm		53F	56412262	1	Housing Spring
	27	56016163	1	Decal, No Step		53G	56420019	1	Nut Retainer
K2	28		2	Shaft-Hub Mount		53H	56420020	1	Nut Retainer
	29	56114111	1	Right Skirt Assy-28-34D NOTE 1		53J	56601470	1	Compression Spring
	30	56114116	1	Left Skirt Assy-34D NOTE 1		54	56601452	1	Brush Cover
K23	31		1	Roller Brkt Weldt-34		55	56601502	2	Side Skirt Weldment
K16	32		1	Clamp- Hose SAE #12		56	56601578	4	Knob
K16	33		1	Tee, Barb 3/4 X 1/2 X 1/2	K4	57		1	Pin
K1	34		2	Screw, Gimbal Mount	K16	58		1	Hose
K16	35		2	Clamp-P		K1	56114281	2	Gimbal Kit
K13, K26	36		2	Bushing		K2	56114282	2	Shaft Kit-Hub Mount
	37	56380149	4	Knob - M12-1.75 Thru		K4	56114284	1	Roller Kit-L/R
K1	38		2	Gimbal-Collar Assembly		K9	56114289	2	Motor Kit-Brush
K16	39		2	Hose, Spiral .500		K10	56114290	1	Hardware Kit-Actuator
K4	40		1	Wheel, Roller		K11	56114291	2	Hardware Kit-Motor Brkt
						K13	56114307	1	Lift Kit-Deck
						K15	56601750	1	Blade Kit-Front 34
						K16	56114311	1	Manifold Kit-Solution 34
						K23	56114338	1	Roller Mount Kit-RT34D
						K25	56114353	1	Hardware Kit-34D Scrub System
						K26	56344180	1	Hardware Kit-Deck Linkage

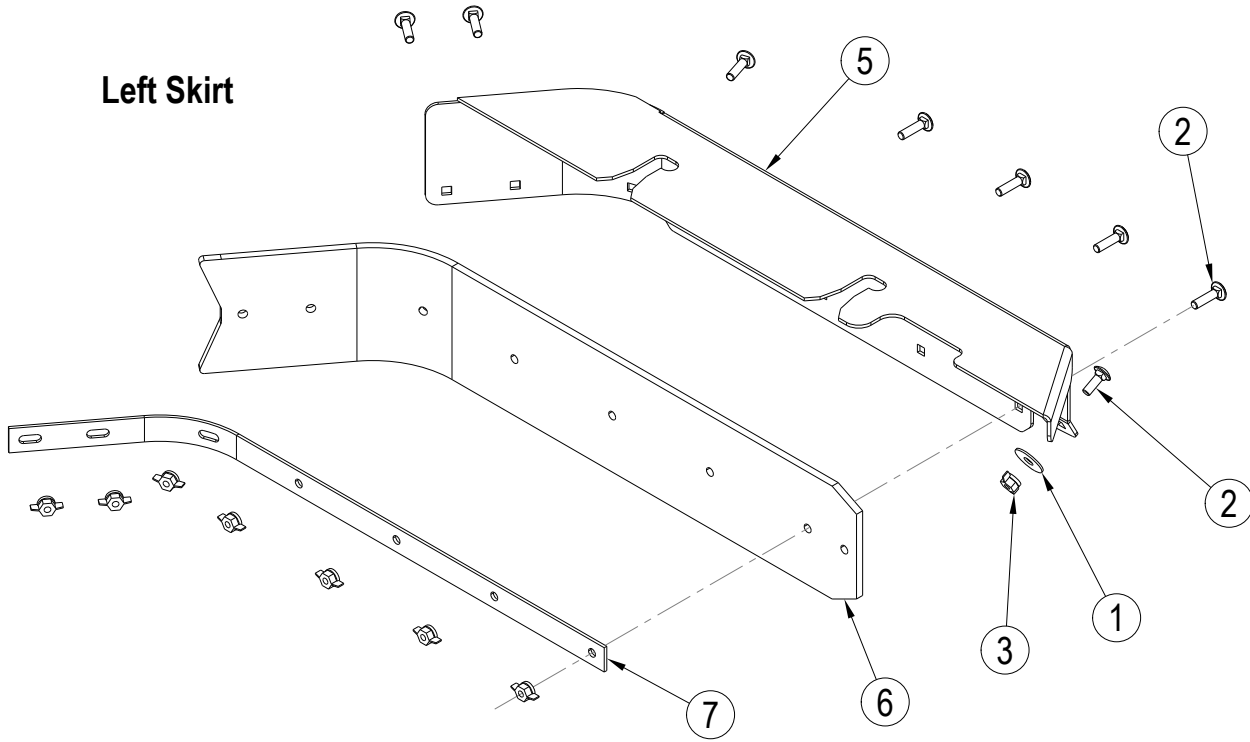
[] = Not Shown

= Revised or new since last update

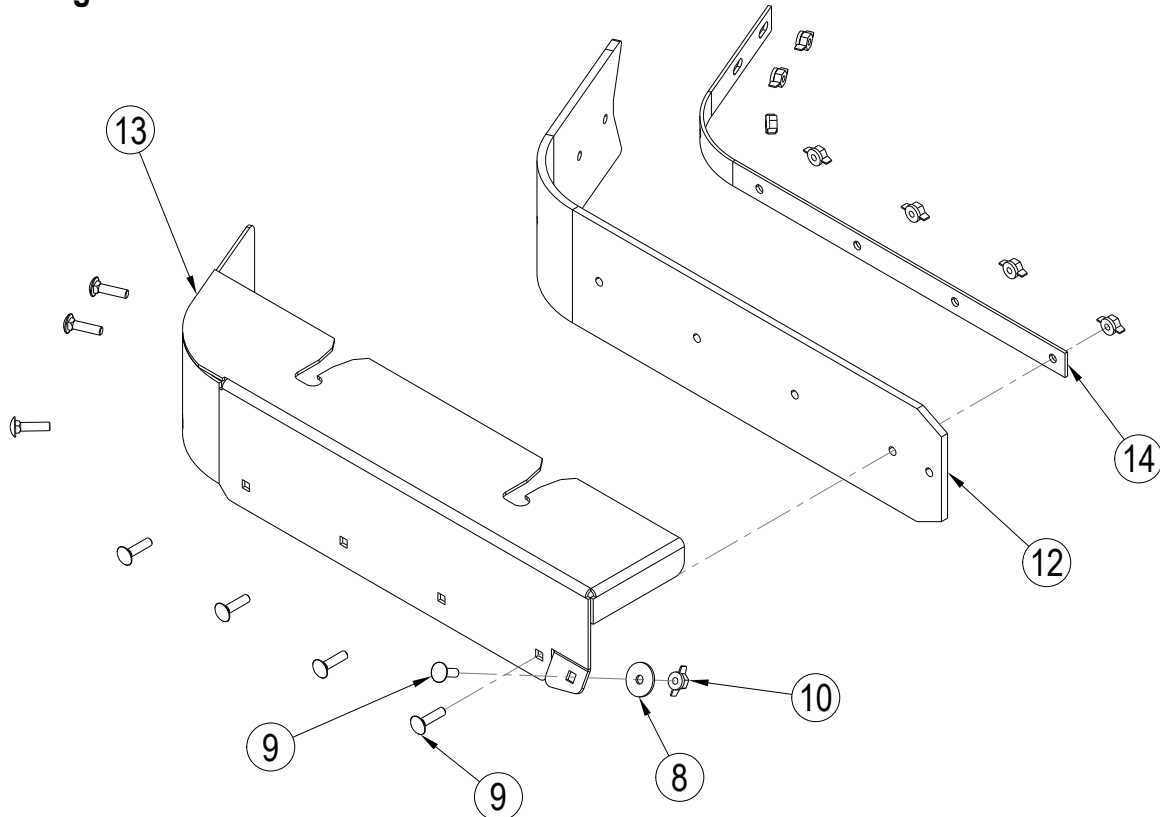
NOTE 1: See "Scrub System - 28-34 Disk Skirt Assemblies".

SCRUB SYSTEM - BOOST SKIRT ASSEMBLIES

Left Skirt



Right Skirt



SCRUB SYSTEM – BOOST SKIRT ASSEMBLIES

Kit	Item	Ref. No.	Qty	Description
		56114143	1	Left Skirt Assy (items 1-7)
K1	1		1	Wsh, Fit SS .260 X 1.000 X.074
K1	#2		8	Scr-Carriage SS 1/4-20 X .75
K1	3		8	Nut- Wing Plastic Loc 1/4-20
	#4			Deleted
	5	56114142	1	Lt Skirt Weldt-Boost
K2	6		1	Blade-Skirt Gum
	7	56114145	1	Strap
		56114146	1	Right Skirt Assy (items 8-14)
K1	8		1	Wsh, Fit SS .260 X 1.000 X.074
K1	#9		8	Scr-Carriage SS 1/4-20 X .75
K1	10		8	Nut- Wing Plastic Loc 1/4-20
	#11			Deleted
K2	12		1	Blade-Skirt Gum
	13	56114147	1	Rt Skirt Weldt-Boost
	14	56114148	1	Strap
	K1	56114292	2	Hardware Kit-Skirt NOTE 1
	K2	56114359	1	Blade Kit, Gum NOTE 2
	*	56114360	1	Blade Kit, PU NOTE 2
	*	56114361	1	Blade Kit-Red Gum NOTE 2

* = Optional, Not Included

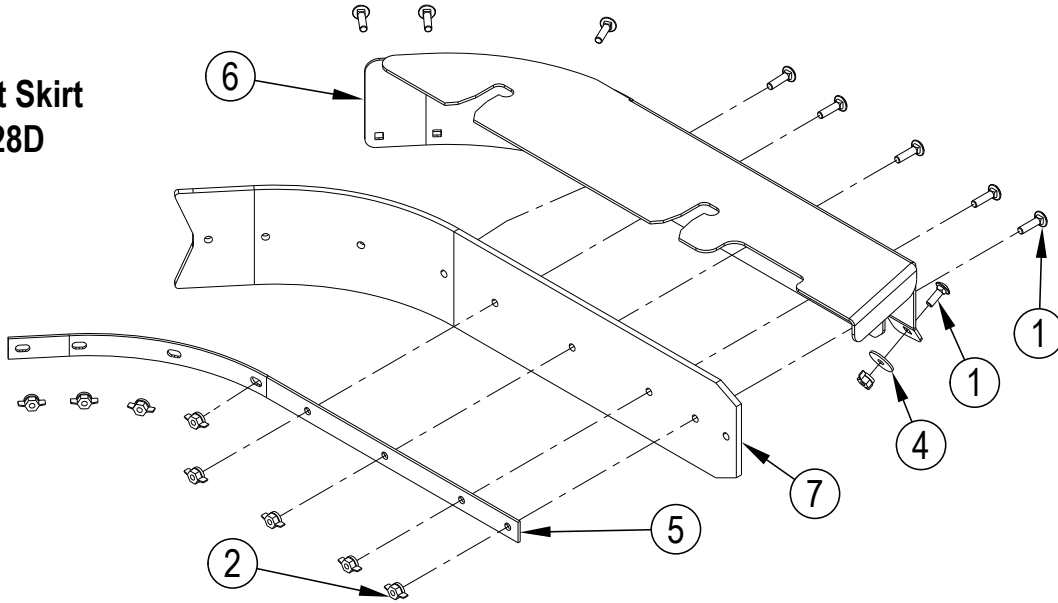
= Revised or new since last update

NOTE 1: One Hardware Kit is required per skirt assembly (two per machine).

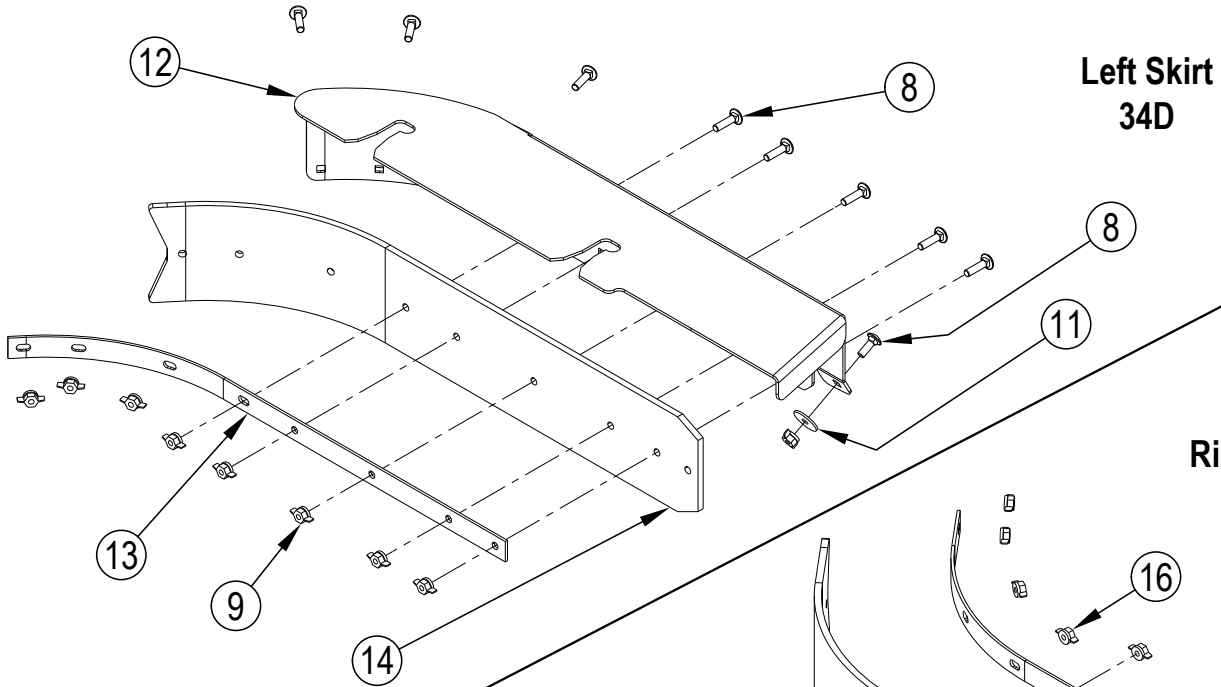
NOTE 2: Blade Kits include both left and right side deck blades (one per machine).

SCRUB SYSTEM - 28-34 DISK SKIRT ASSEMBLIES

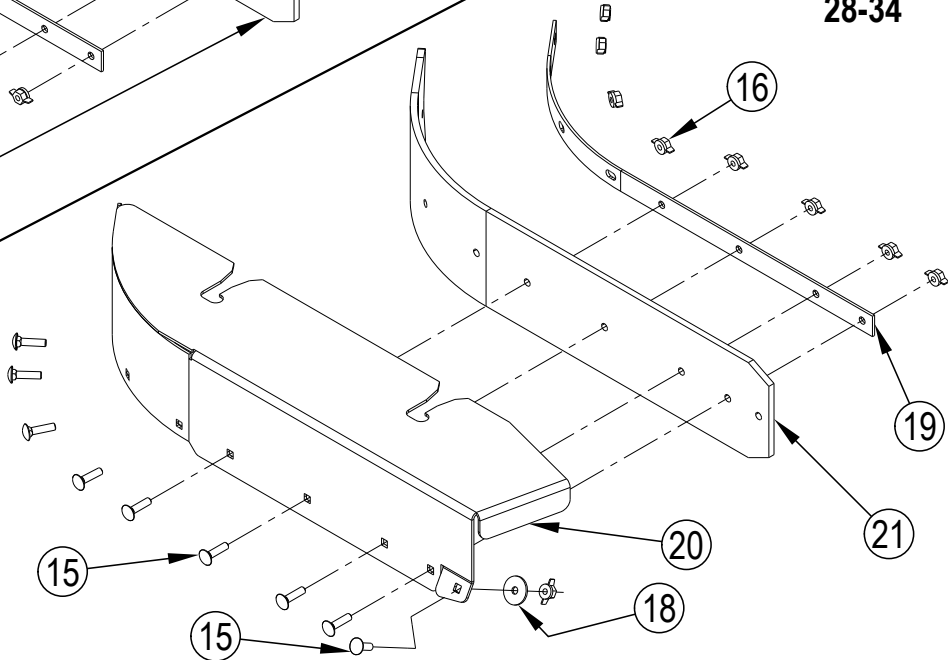
**Left Skirt
28D**



**Left Skirt
34D**



**Right Skirt
28-34**



SCRUB SYSTEM - 28-34 DISK SKIRT ASSEMBLIES

Kit	Item	Ref. No.	Qty	Description
		56114110	1	Left Skirt Assy-28D (items 1-7)
K1	#1		9	Scr-Carriage SS 1/4-20 X .75
K1	2		9	Nut- Wing Plastic Loc 1/4-20
	#3			Deleted
K1	4		1	Wsh, Flt SS .260 X 1.000 X.074
	5	56114112	1	Strap
	6	56114114	1	Skirt Bkt Weldt-Lt-28D
K2	7		1	Blade-Skirt-28D34D-Gum
		56114116	1	Left Skirt Assy-34D (items 8-14)
K1	#8		9	Scr-Carriage SS 1/4-20 X .75
K1	9		9	Nut- Wing Plastic Loc 1/4-20
	#10			Deleted
K1	11		1	Wsh, Flt SS .260 X 1.000 X.074
	12	56114117	1	Skirt Bkt-Lt-34D Weldt
	13	56114118	1	Strap
K2	14		1	Blade-Skirt-28D34D-Gum
		56114111	1	Right Skirt Assy-28-34D (items 15-21)
K1	#15		9	Scr-Carriage SS 1/4-20 X .75
K1	16		9	Nut- Wing Plastic Loc 1/4-20
	#17			Deleted
K1	18		1	Wsh, Flt SS .260 X 1.000 X.074
	19	56114112	1	Strap
	20	56114115	1	Skirt Bkt Weldt-Rt-28-34D
K2	21		1	Blade-Skirt-28D34D-Gum
	K1	56114292	2	Hardware Kit-Skirt NOTE 1
	K2	56114364	1	Skirt Kit-28D34D-Gum NOTE 2
	*	56114366	1	Skirt Kit-28D34D-PU NOTE 2
	*	56114368	1	Skirt Kit-28D34D-Red Gum NOTE 2

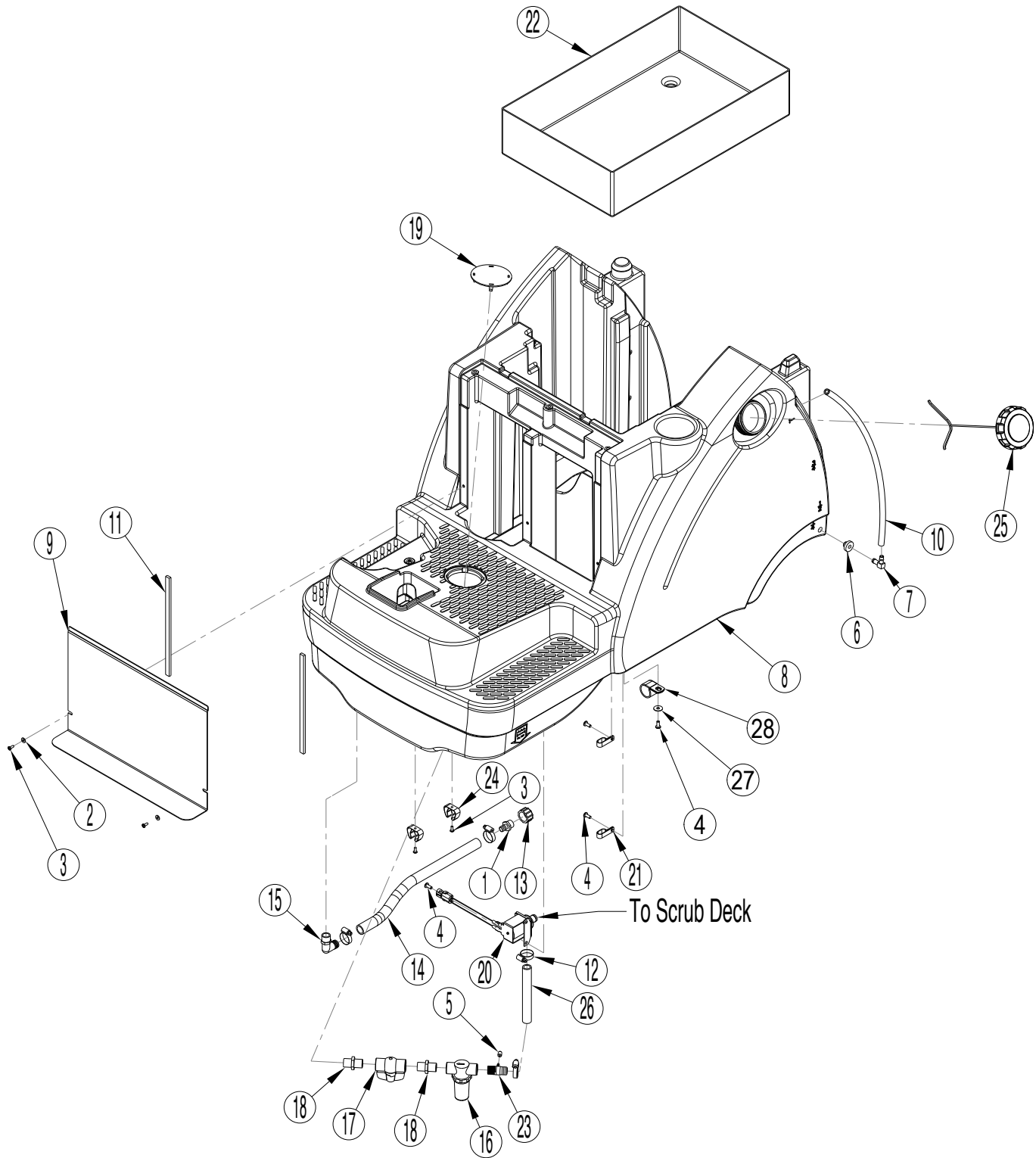
* = Optional, Not Included

= Revised or new since last update

NOTE 1: One Hardware Kit is required per skirt assembly (two per machine).

NOTE 2: Blade Kits include both left and right side deck blades (one per machine).

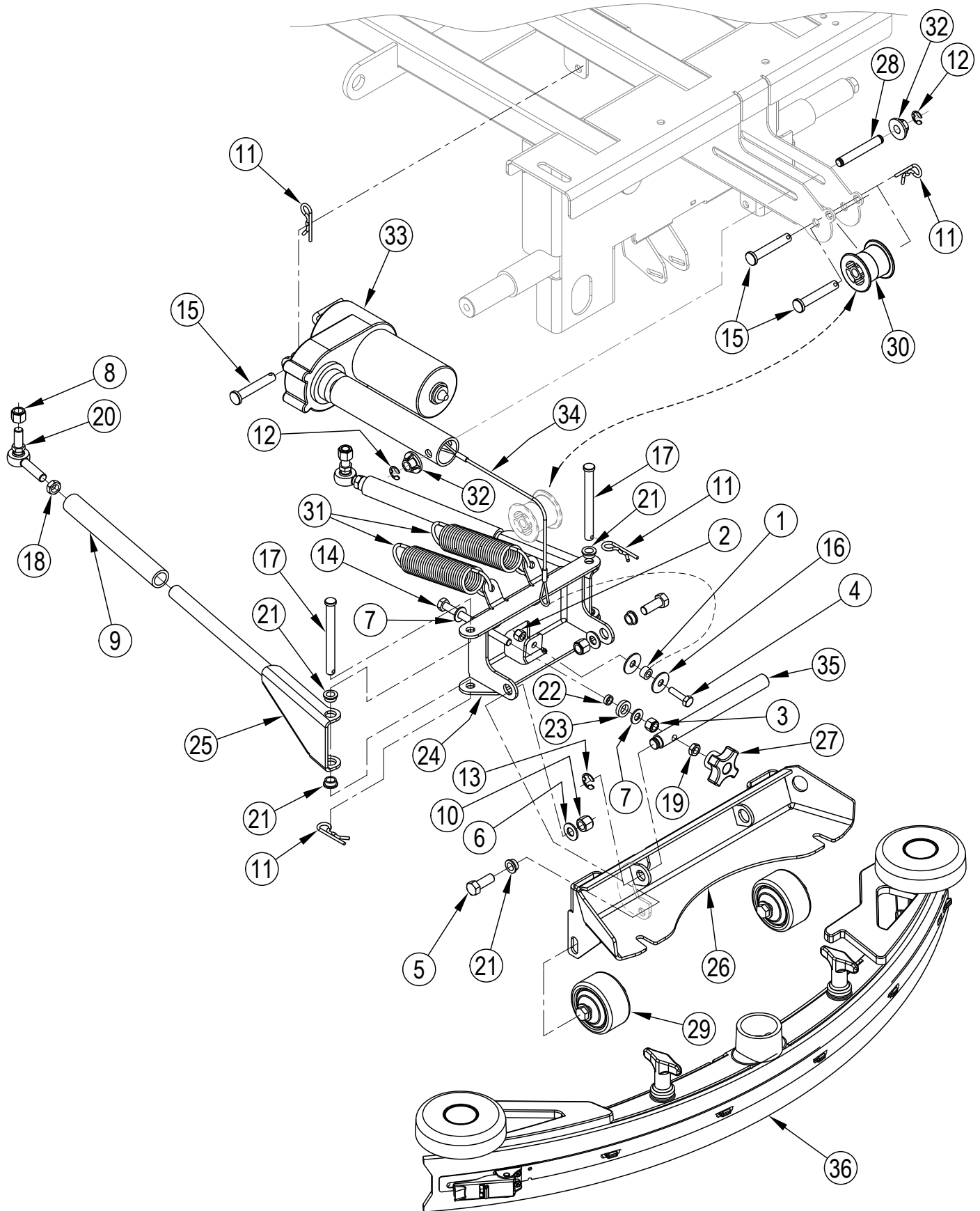
SOLUTION SYSTEM



SOLUTION SYSTEM

Kit	Item	Ref. No.	Qty	Description
K1	1		1	Barb
K4	2		2	Wsh, Fit SAE #10
K1, K4	3		4	Scr-Pan Phil 10-24 x .50
K2	4		4	Scr-Pan Phil 1/4-20 x .62
K2	5		1	Rubber Tip-Black
K3	6		1	Grommet
K3	7		1	Hosebarb .25 x .50
	8	56114050	1	Tank-Solution
	9	56114181	1	Cover-Electrical
K3	10		1	Tube-PVC .38 x .50 x 26.00
	11	56114252	2	Gasket-.25 X .50 X 11
K1, K2	12		4	Clamp- Hose SAE #12
K1	13		1	Cap, Pipe GHT Nylon
K1	14		1	Hose 17
K1	15		1	Barb Elbow
K2	16	56315296	1	Solution Filter
K2	17		1	Ball Valve
K2	18		2	Nipple, Hex 3/4-14
	19	56412263	1	Cap-Spindle
	20	56601064	1	Solenoid Valve Assy (L1)
K2	21		2	Clamp-Hose (Double) 1/2 O.D.
	22	56601213	1	Battery Box
K2	23		1	Tee, Special, 3/4 X 3/16 X 1/2NPT
K1	24		2	Hose Clip
	25	56601599	1	Cap - Raw With Tether
K2	26		1	Hose, Solution (Flex)
	27	56003585	1	Wsh-Fit .281 X .875 X .036
	28	56409463	1	Clamp, 1.25 Hose Support
	K1	56114275	1	Hose Kit-Drain
	K2	56114276	1	Valve and Filter Kit
	K3	56114277	1	Sight Gauge Kit
	K4	56114349	1	Hardware Kit-Elec Cover

SQUEEGEE MOUNT SYSTEM

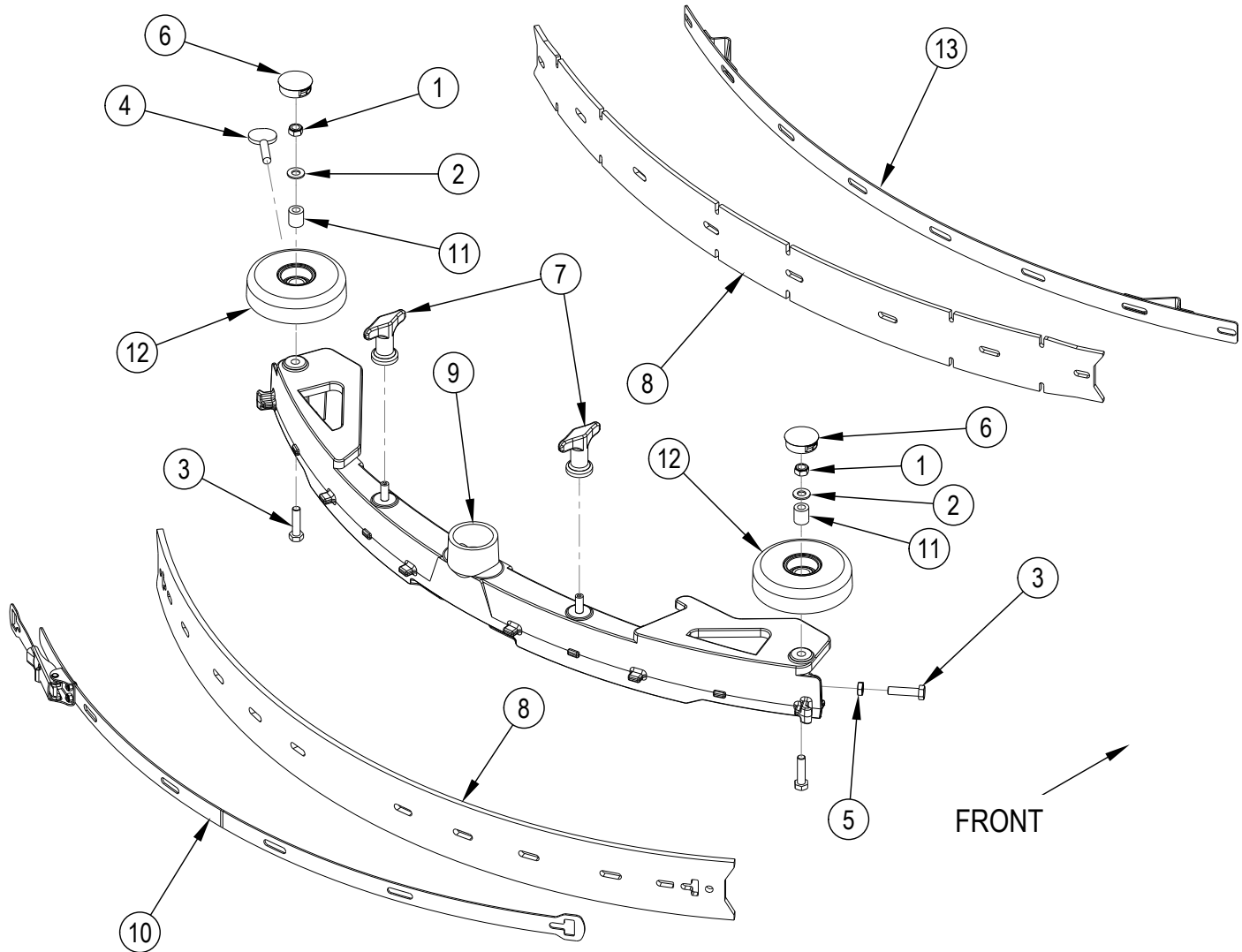


SQUEEGEE MOUNT SYSTEM

Kit	Item	Ref. No.	Qty	Description
	1	56453691	1	Spacer
K4	2		1	Nut, Hex Nyl Loc SS 1/4-20
K4	3		1	Nut, Hex Nyl Loc SS 5/16-18
K4	4		1	Scr- Hex SS 1/4-20 X 1.00
K4	5		2	Scr- Hex SS 3/8-16 X 1.00
	6	56002910	2	Wsh-Flt SAE SS 3/8
K4	7		2	Wsh-Flt SAE SS 5/16
	8	56002951	2	Nut, Hex Nyl Loc 3/8-24
	9	56601512	2	Hose
K4	10		2	Nut, Hex Nyl Loc SS 3/8-16
K1, K4	11		4	Pin, Cotter Hair
K1	12		2	Ring, Ret Ext Type E 0.38 Dia
K4	13		1	Ring, Ret Ext Type E 0.50 Dia
K4	14		1	Scr-Hex Thd To Hd SS 5/16-18 X 4.00
K1	15		3	Pin-Clevis .375 X 2.25
K4	16		2	Wsh-Flt SS .33 X 1.00 X.060
K4	17		2	Pin-Clevis .38 X 3.75
	18	56009103	2	Nut, Hex Jam 3/8-24
K4	19		1	Nut-Hex Jam SS 5/16-18
	20	56601469	2	Rod End
K4	21		6	Bearing, Flange
	22	56381818	1	Bushing .32x.44x.15
K4	23		1	Washer, Polyurethane
	24	56382636	1	Bracket-Squeegee Pivot Weldt
	25	56601460	2	Bar Weldment
	26	56390849	1	Bracket-Squeegee Mount Weldt
K4	27		1	Knob
K1	28		1	Pin
K3	29		2	Wheel
K1	30		1	Roller
	31	56412216	2	Spring, Extension
K1	32		2	Spacer, Squeegee Cable
	33	56601147	1	Actuator- Motor 24V (M3)
K1	34		1	Cable Assembly
	35	56601442	1	Shaft
	36	NA	1	Squeegee Assembly (see appropriate Squeegee Assembly page)
	K1	56114319	1	Cable Kit-Squeegee
	K3	56114321	1	Roller Kit-Squeegee
	K4	56114354	1	Hardware Kit-Squeegee Bracket

[] = Not Shown

SQUEEGEE ASSY-28 INCH



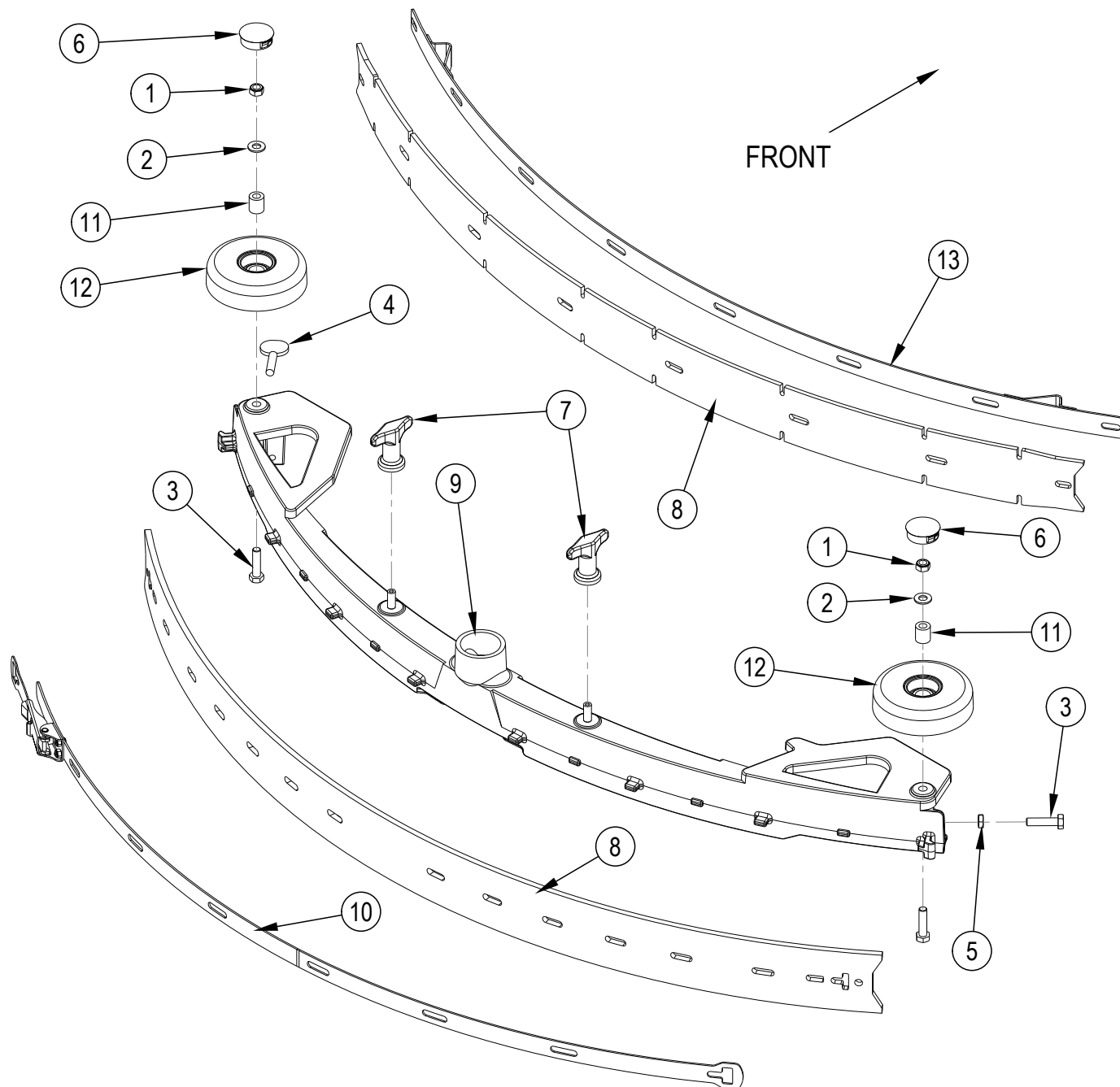
Item	Ref. No.	Qty	Description	Item	Ref. No.	Qty	Description
	56601449	1	Squeegee Assembly (Includes Gum Rubber Blades)	8	56382734	1	Blade Kit-Squeegee-Gum 28 NOTE 1
1	56002851	2	Nut, Hex Nyl Loc-Thin SS 5/16-18	*	56382737	1	Blade Kit-Squeegee-PU 28 NOTE 1
2	56002938	2	Wsh-Flt SAE SS 5/16	*	56382735	1	Blade Kit-Squeegee-Red Gum 28 NOTE 1
3	56003302	3	Scr-Hex Thd To Hd SS 5/16-18 X 1.25	9	NA	1	Squeegee-Casting 28 Inch NOTE 2
4	56003792	1	Scr, Thumb SS 5/16-18 X 1.25	10	56382697	1	Clamp-Band 28 Inch Assembly
5	56009141	1	Nut-Hex Jam SS 5/16-18	11	56601499	2	Bushing, Nylon
6	56111444	2	Button Plug-1.25	12	56601450	2	Wheel, 4.00 OD
7	56370711	2	Nut Thumb	13	56601489	1	Front Strap Weldment

* = Optional, Not Included

NOTE 1: All squeegee blade kits include both front and rear squeegee blades.

NOTE 2: The squeegee casting is not available for sale separately. If you need to replace your squeegee casting please order a new Squeegee Assembly part number 56601449.

SQUEEGEE ASSY-34 INCH



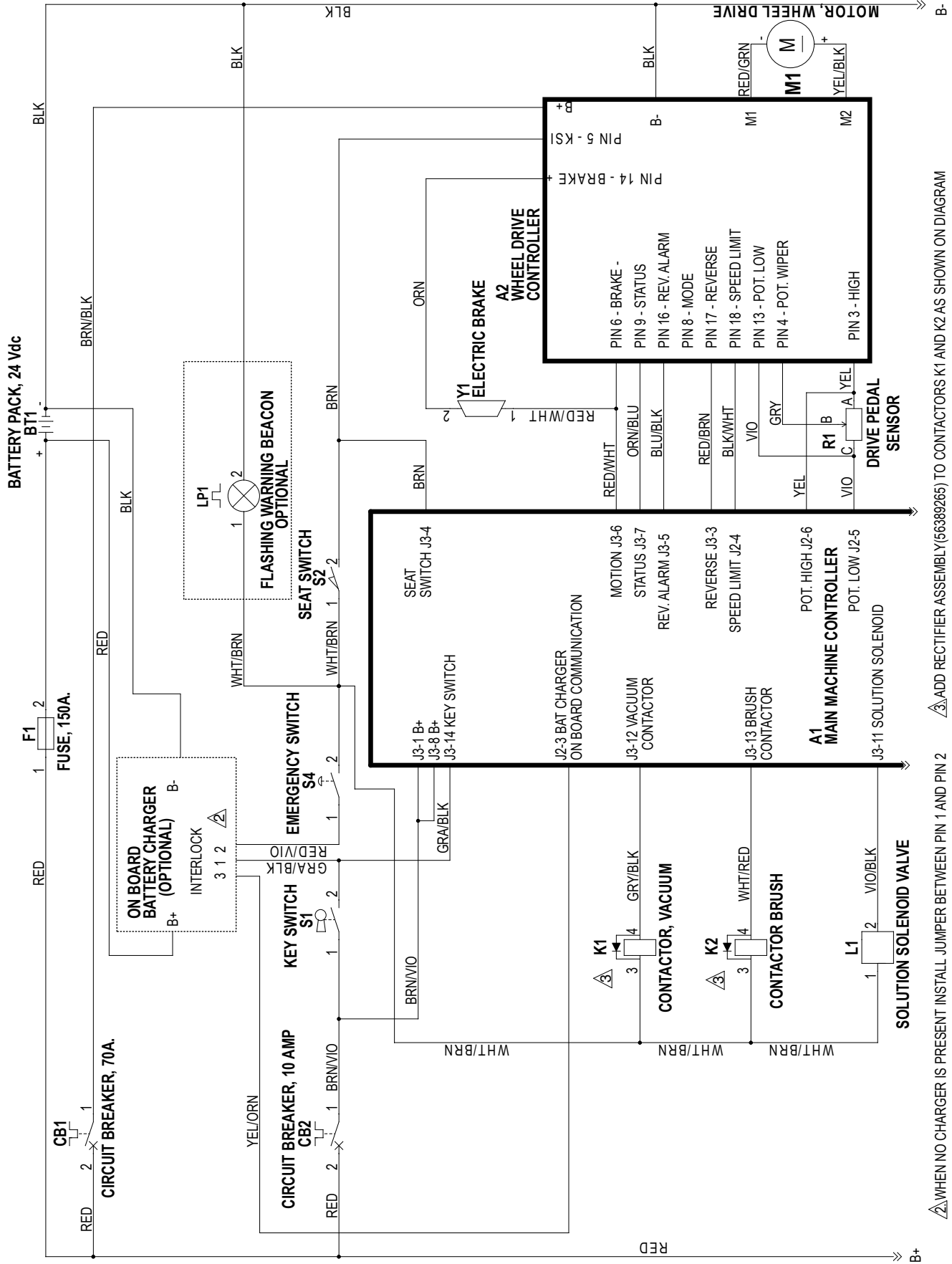
Item	Ref. No.	Qty	Description	Item	Ref. No.	Qty	Description
	56601454	1	Squeegee Assembly (Includes Gum Rubber Blades)	8	56382738	1	Blade Kit-Squeegee-Gum 34 NOTE 1
1	56002851	2	Nut, Hex Nyl Loc-Thin SS 5/16-18	*	56382740	1	Blade Kit-Squeegee-PU 34 NOTE 1
2	56002938	2	Wsh-Fit SAE SS 5/16	*	56382739	1	Blade Kit-Squeegee-Red Gum 34 NOTE 1
3	56003302	3	Scr-Hex Thd To Hd SS 5/16-18 X 1.25	9	NA	1	Squeegee-Casting 34 Inch NOTE 2
4	56003792	1	Scr, Thumb SS 5/16-18 X 1.25	10	56382698	1	Clamp-Band 34 Inch Assembly
5	56009141	1	Nut-Hex Jam SS 5/16-18	11	56601499	2	Bushing, Nylon
6	56111444	2	Button Plug-1.25	12	56601450	2	Wheel, 4.00 OD
7	56370711	2	Nut Thumb	13	56601495	1	Front Strap Weldment

* = Optional, Not Included

NOTE 1: All squeegee blade kits include both front and rear squeegee blades.

NOTE 2: The squeegee casting is not available for sale separately. If you need to replace your squeegee casting please order a new Squeegee Assembly part number 56601454.

LADDER DIAGRAM-1



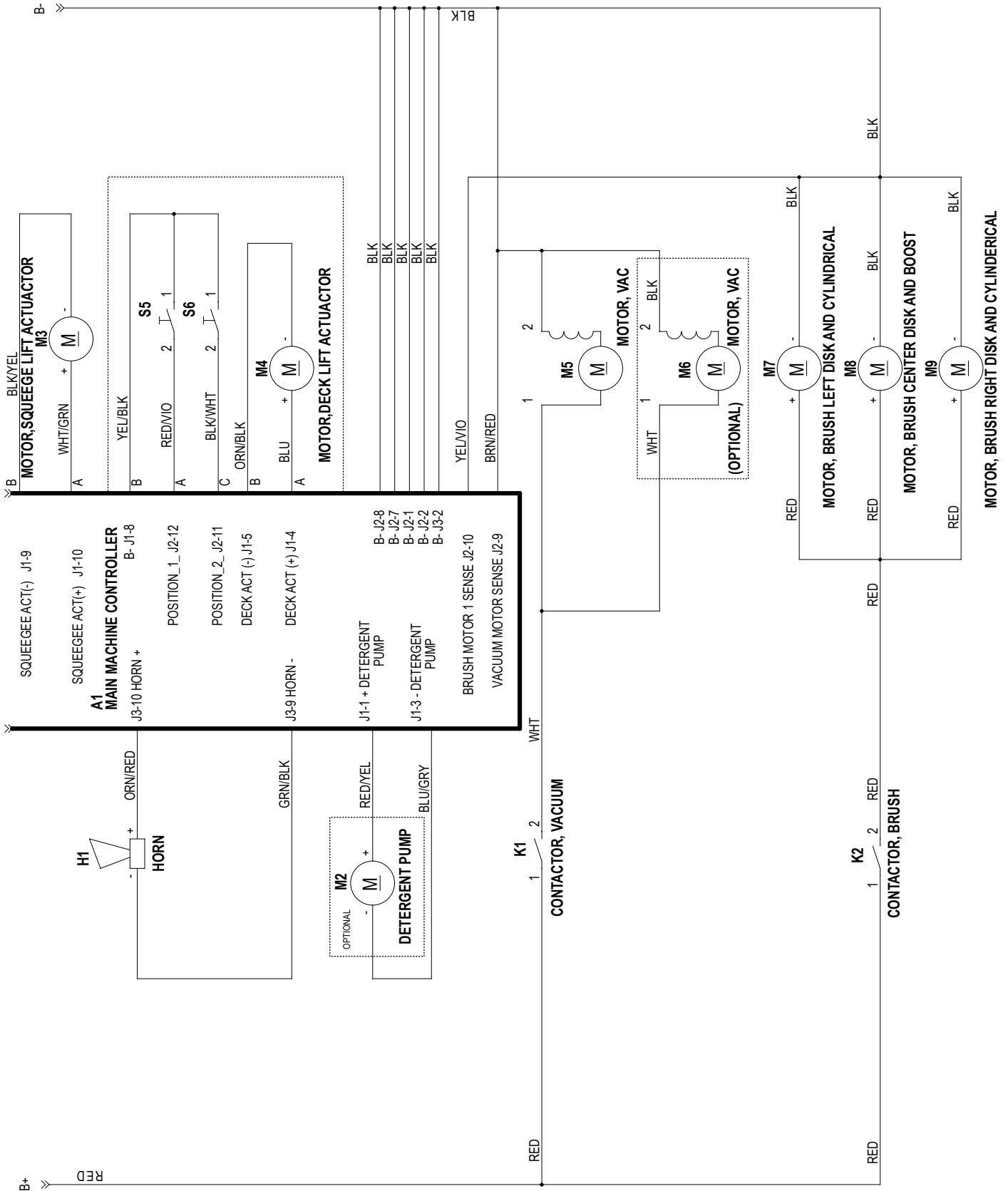
⚠ WHEN NO CHARGER IS PRESENT INSTALL JUMPER BETWEEN PIN 1 AND PIN 2
 ⚠ ADD RECTIFIER ASSEMBLY (56389265) TO CONTACTORS K1 AND K2 AS SHOWN ON DIAGRAM

LADDER DIAGRAM-1

Item	Ref. No.	Qty	Description
A1	56114299	1	User Interface Panel Kit
A2	56114234	1	Controller, Speed
BT1	N/A		Battery
F1	56114294	1	Fuse, 150 Amp (Standoff and Breaker Kit)
CB1	56454429	1	Circuit Breaker, 70 Amp (Traverse)
CB2	56507644	1	Circuit Breaker, 10 Amp (Key Switch)
K1	56601183	1	Contactactor 24v, 100 Amp (Vac)
K2	56412179	1	Contactactor 24v (Brush)
L1	56601064	1	Solenoid Valve Assy
LP1	56114262	1	Beacon, Warning (optional)
M1	56601050	1	Motor / Drive Wheel
R1	N/A	1	Part of Foot Pedal 56114155
S1	56303553	1	Key Switch
*	56303526	A/R	Replacement Key Set
S2	7-82-00050	1	Switch, Seat
S4	56114293	1	Disconnect, Emergency (E-Stop Kit)
Y1	56601507	1	Brake, Electromagnetic (replacement part for 56601050 Motor / Drive Wheel)
	56112544	1	Battery Charger 24V 25A (optional)

* = Optional, Not Included

LADDER DIAGRAM-2



LADDER DIAGRAM-2

Item	Ref. No.	Qty	Description
A1	56114299	1	User Interface Panel Kit
H1	56412177	1	Horn/Backup Alarm
K1	56601183	1	Contactora 24V, 100 Amp (Vac)
K2	56412179	1	Contactora 24V (Brush)
M2	56315241	1	Pump, Detergent (optional)
M3	56601147	1	Actuator, Motor 24V (Squeegee Lift)
#M4	56114362	1	Lift Actuator Assembly (Deck Lift)
M5	56114278	1	Motor, Vac 24VDC (Vac Motor Kit)
[]	56380529	1	Carbon Brush Set of 2 (for Vac Motor)
M6	56114278	1	Motor, Vac 24VDC (optional) (Vac Motor Kit)
[]	56380529	1	Carbon Brush Set of 2 (for Vac Motor)
M7	56114324	1	Motor Gearbox Assy (disk) (28 & 34) (Motor Kit)
[]	56601534	1	Carbon Brush Set of 2 (for Disk Motor)
M8	56390072	1	Motor 24VDC (BOOST)
[]	56412287	1	Carbon Brush Set of 4 (for 56390072)
M9	56114324	1	Motor Gearbox Assy (disk) (28 & 34) (Motor Kit)
[]	56601534	1	Carbon Brush Set of 2 (for Disk Motor)
S5	NA	1	Part of A1
S6	NA	1	Part of A1

[] = Not Shown

= Revised or new since last update

OPTIONAL KITS AND ACCESSORIES

Item	Ref. No.	Qty	Description	Item	Ref. No.	Qty	Description
			Kits				34" Disk Scrub Brushes (See Brush Selector Guide)
*	56397453	1	Kit-Battery Fill Indicator	*	56114243	2	Pad Driver
*	7-03-04249	1	Kit-Seat Armrests	*	56114229	2	Soft Nylon
*	56114253	1	Kit-Warning Beacon	*	56114228	2	Poly Brush
*	56601087	1	Kit-Vacuum Wand With Caddy	*	56114230	2	Lite Grit
*	56422162	1	Kit-Seat Belt	*	56114231	2	Medium Grit
*	56114245	1	Kit-Dual Vac Motor	*	56114232	2	Heavy Grit
*	56601527	1	Battery Watering Kit				BOOST Pads (See Pad Selector Guide)
*	56114088	1	Kit-On Board Chemical	*	997018	1	Maroon Surface Prep Pad (Qty 5)
*	56114246	1	Kit-Vacuum Sound Reduction	*	30794A	1	Velcro, 2 Sided 14" x 28"
*	56114182	1	Kit-On Board Charger	*	997002	1	Pad, White, 14" x 28" (Qty 5)
			28" Squeegee Blade Kits	*	997001	1	Pad, Red, 14" x 28" (Qty 5)
	56382734	1	Blade Kit-Squeegee-Gum 28 NOTE 1	*	997006	1	Pad, Blue, 14" x 28" (Qty 5)
*	56382737	1	Blade Kit-Squeegee-PU 28 NOTE 1	*	997000	1	Pad, Black, 14" x 28" (Qty 5)
*	56382735	1	Blade Kit-Squeegee-Red Gum 28 NOTE 1	*	997016	1	Pad, 3M Hi Pro, 14" x 28" (Qty 10)
			34" Squeegee Blade Kits	*	997008	1	BOOST Wet Screen 60 Grit (Qty 10)
	56382738	1	Blade Kit-Squeegee-Gum 34 NOTE 1	*	997009	1	BOOST Wet Screen 80 Grit (Qty 10)
*	56382740	1	Blade Kit-Squeegee-PU 34 NOTE 1	*	997010	1	BOOST Wet Screen 100 Grit (Qty 10)
*	56382739	1	Blade Kit-Squeegee-Red Gum 34 NOTE 1	*	997011	1	BOOST Wet Screen 120 Grit (Qty 10)
			Disk Deck Blade Kits				
	56114364	1	Skirt Kit-28D34D-Gum (Gum) NOTE 2				
*	56114366	1	Skirt Kit-28D34D-PU (PU) NOTE 2				
*	56114368	1	Skirt Kit-28D34D-Red Gum (Red Gum) NOTE 2				
	56601248	1	Blade Front 28 Gum (Gum)				
*	56601521	1	Blade Front 28 PU (PU)				
	56601275	1	Blade Front 34 Gum (Gum)				
*	56601750	1	Blade Kit-Front 34 IN W/FAST (includes mounting rivets)				
*	56601522	1	Blade Front 34 PU (PU)				
			BOOST Deck Blade Kits				
	56114359	1	Blade Kit-Gum NOTE 3				
*	56114360	1	Blade Kit-PU NOTE 3				
*	56114361	1	Blade Kit-Red Gum NOTE 3				
			Accessories				
*	56409441	1	Programmer, User				
*	56409823	1	Programmer Cable				
*	56044626	1	Literature Pack				
			28" Disk Scrub Brushes (See Brush Selector Guide)				
*	56114242	2	Pad Driver				
*	56114224	2	Soft Nylon				
*	56114223	2	Poly				
*	56114225	2	Lite Grit				
*	56114226	2	Medium Grit				
*	56114227	2	Heavy Grit				

* = Optional, Not Included

NOTE 1: All squeegee blade kits include both front and rear squeegee blades.

NOTE 2: All disk deck blade kits include all side skirt blades, does not include the front deck blade.

NOTE 3: All BOOST deck blade kits include both left and right side deck blades.

BRUSH SELECTOR GUIDE-DISK

We provide brushes and pad holders that will give you the best possible performance between machine and floor. Following are descriptions of the materials and their applications.

- Soft Nylon:** Bristles are made from light-duty polypropylene for general scrubbing when you do not want to scratch or remove finish from the floor. Recommended for use in place of red pads.
- Poly:** Polypropylene material for medium-duty scrubbing on concrete, terrazzo and vinyl floor tile. Recommended for use in place of green or blue pads.
- Lite Grit:** For light scrubbing when used wet; buffing or polishing when used dry on urethane coated, sealed concrete or other resilient hard surface floors. Recommended for use in place of red or white pads.
- Medium Grit:** For general purpose scrubbing of sealed or unsealed concrete, stone, terrazzo, quarry tile and other resilient hard floor surfaces. Recommended for use in place of green or blue pads.
- Heavy Grit:** For aggressive, heavy-duty scrubbing or stripping of floors. Recommended for use in place of brown pads.

28" DECK BRUSHES

56114242 - Pad Driver
 56114224 - Soft Nylon
 56114223 - Poly
 56114225 - Lite Grit
 56114226 - Medium Grit
 56114227 - Heavy Grit

34" DECK BRUSHES

56114243 - Pad Driver
 56114229 - Soft Nylon
 56114228 - Poly
 56114230 - Lite Grit
 56114231 - Medium Grit
 56114232 - Heavy Grit

DISC BRUSH APPLICATION GUIDE (SUGGESTION ONLY)

Application	Heavy Grit	Medium Grit	Lite Grit	Poly	Soft Nylon
Stripping:					
Concrete	X				
Terrazzo	X				
Ceramic/Quarry tile	X				
Vinyl tile	X				
General Scrubbing:					
Concrete	X	X	X	X	
Terrazzo		X	X	X	
Ceramic/Quarry tile		X	X	X	
Marble			X	X	X
Vinyl tile		X	X	X	
Raised-rubber tile			X	X	X

PAD SELECTOR GUIDE-BOOST

We provide pads that will give you the best possible performance between machine and floor. Following are descriptions of the materials and their applications.

- White: For very light scrubbing on high gloss floor finishes where a red pad may be too aggressive.
- Red: Most popular daily cleaning and scrubbing pad for use on a wide varieties of floors.
- Blue: For heavy duty scrubbing prior to recoating. Removes dirt, spills and scuffs, leaving a clean surface ready for recoating.
- Black: For conventional stripping with chemicals.
- 3M Hi Pro: For conventional stripping with chemicals. Unique open web construction allows stripping solution to flow through the pad to rinse out dirt and reduce loading for increased pad-to-floor contact and more efficient stripping.
- Maroon: Prepares wood, vinyl tile, sheet vinyl, marble, terrazzo and concrete floors for refinishing.

28" BOOST DECK PADS

- 30794A - Velcro, 2 Sided
- 997002 - White (Case of 5)
- 997001 - Red (Case of 5)
- 997006 - Blue (Case of 5)
- 997000 - Black (Case of 5)
- 997016 - 3M Hi Pro (Case of 10)
- 997018 - Maroon Surface Prep (Case of 10)

28" BOOST SANDING SCREENS

- 997008 - BOOST Wet Screen 60 Grit
- 997009 - BOOST Wet Screen 80 Grit
- 997010 - BOOST Wet Screen 100 Grit
- 997011 - BOOST Wet Screen 120 Grit

SQUEEGEE BLADE SELECTOR GUIDE

Gum Rubber: Provides superior wiping action on tile, terrazzo, and polished floors.

Red Gum Rubber: Provides longest life on finished or unfinished concrete floors.

Polyurethane: Oil resistance provides superior life in applications with oily floors.

SQUEEGEE BLADE APPLICATION GUIDE(SUGGESTION ONLY)

Performance Traits	Gum Rubber (Natural Rubber)	Red Gum Rubber (Natural Rubber)	Polyurethane/ Pentathane
Resilience	X		X
Tear Strength	X		X
Abrasion Resistance	X	X	X
Wear Resistance		X	X
Low Temp Flexibility	X	X	
High Temp Flexibility	X		X
Ozone Resistance			
Chemical Resistance			X
Applications			
Oil Resistant Applications			X
General Purpose	X	X	X
Hot Water Applications		X	X
Chemical Applications			X
Color	Tan	Red	Translucent

Clarke[®]

14600 21st Avenue North
Plymouth, MN 55447-3408

www.clarkeus.com

Phone: 800-253-0367

Fax: 800-825-2753

©2012 Nilfisk-Advance, Inc.

A Nilfisk-Advance Brand