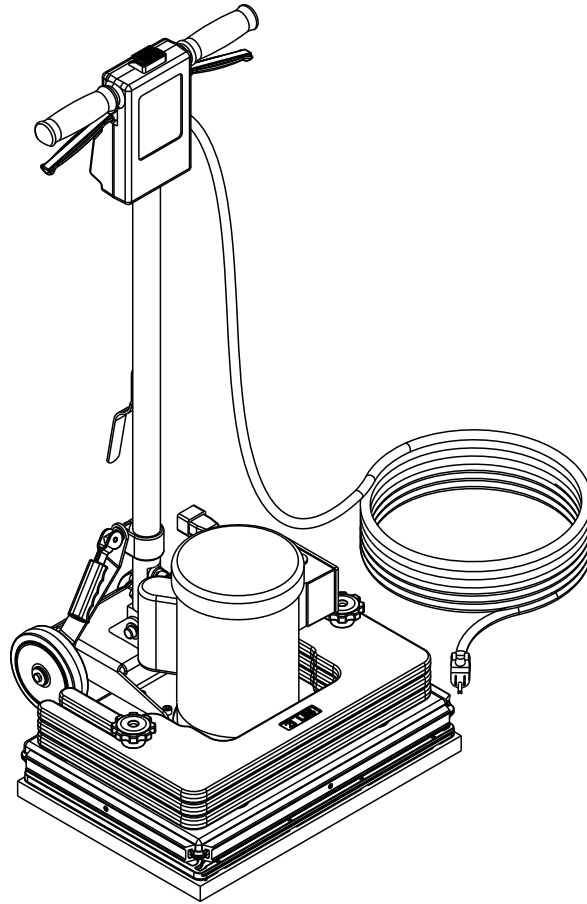


# Clarke®

## FM40 ST, FM40 LX



Instructions For Use - Original Instructions / Instrucciones de uso / Mode d' emploi  
**Models: 56105618 (ST), 56105620 (LX)**



**READ THIS BOOK**  
**LEA ESTE MANUAL**  
**LISEZ CE MANUEL**

**EN** English (A2 - A10)  
**ES** Español (B2 - B10)  
**FR** Français (C2 - C10)

This book has important information for the use and safe operation of this machine. Failure to read this book prior to operating or attempting any service or maintenance procedure to your Clarke machine could result in injury to you or to other personnel; damage to the machine or to other property could occur as well. You must have training in the operation of this machine before using it. If your operator(s) cannot read this manual, have it explained fully before attempting to operate this machine.

All directions given in this book are as seen from the operator's position at the rear of the machine.



## TABLE OF CONTENTS

	Page
Introduction.....	A-2
Parts and Service .....	A-2
Nameplate .....	A-2
Unpacking the Machine.....	A-2
Cautions and Warnings .....	A-3
Grounding Instructions .....	A-4
Know Your Machine.....	A-5
Transporting the Machine.....	A-6
Machine Setup.....	A-7
<b>Operating the Machine</b>	
Operating Instructions – Floor Finish Recoat Prep.....	A-8
Operating Instructions - Scrubbing.....	A-9
Troubleshooting.....	A-10
Technical Specifications .....	A-10

## INTRODUCTION

This manual will help you get the most from your Clarke floor machine. Read it thoroughly before operating the machine.

**Note: Bold numbers in parentheses indicate an item illustrated on page A-5 unless otherwise noted.**

This product is intended for commercial use only.

## PARTS AND SERVICE

Repairs, when required, should be performed by your Authorized Clarke Service Center, who employs factory trained service personnel, and maintains an inventory of Clarke original replacement parts and accessories.

Call Clarke for repair parts or service. Please specify the Model and Serial Number when discussing your machine.

If your dealer is unable to assist you, please call Clarke at 800-989-2235.

## MODIFICATIONS

Modifications and additions to the cleaning machine which affect capacity and safe operation shall not be performed by the customer or user without prior written approval from Nilfisk-Advance Inc. Unapproved modifications will void the machine warranty and make the customer liable for any resulting accidents.

## NAMEPLATE

The Model and Serial Number of your machine are shown on the Nameplate in the battery compartment. This information is needed when ordering repair parts for the machine. Use the space below to note the Model and Serial Number of your machine for future reference.

Model \_\_\_\_\_

Serial Number \_\_\_\_\_

## UNPACKING THE MACHINE

When the machine is delivered, carefully inspect the shipping packaging and the machine for damage. If damage is evident, save the shipping carton (if applicable) so that it can be inspected. Contact the Clarke Customer Service Department immediately to file a freight damage claim.

## WARNING!

The Products sold with this Manual contain or may contain chemicals that are known to certain governments (such as the State of California, as identified in its Proposition 65 Regulatory Warning Law) to cause cancer, birth defects or other reproductive harm. In certain locations (including the State of California) purchasers of these Products that place them in service at an employment job site or a publicly accessible space are required by regulation to make certain notices, warnings or disclosures regarding the chemicals that are or may be contained in the Products at or about such work sites. It is the purchaser's responsibility to know the content of, and to comply with, any laws and regulations relating to the use of these Products in such environments. The Manufacturer disclaims any responsibility to advise purchasers of any specific requirements that may be applicable to the use of the Products in such environments.

## CAUTIONS AND WARNINGS

### SYMBOLS

Clarke uses the symbols below to signal potentially dangerous conditions. Read this information carefully and take the necessary steps to protect personnel and property.

#### **DANGER!**

Is used to warn of immediate hazards that will cause severe personal injury or death.

#### **WARNING!**

Is used to call attention to a situation that could cause severe personal injury.

#### **CAUTION!**

Is used to call attention to a situation that could cause minor personal injury or damage to the machine or other property.



Read all instructions before using.

## GENERAL SAFETY INSTRUCTIONS

Specific Cautions and Warnings are included to warn you of potential danger of machine damage or bodily harm.

#### **DANGER!**

- \* Failure to read the Owner's Manual prior to operating or servicing your Clarke machine could result in injury to you or to other personnel; damage to the machine or to other property could occur as well. You must have training in the operation of this machine before using it. **If you or your operator(s) cannot read English, have this manual explained fully before attempting to operate this machine.**
- \* Sanding/finishing wood floors can create an explosive or combustible environment. Do not operate this machine around solvents, thinners, alcohol, fuels, floor finishes, wood dust or any other flammable materials. Cigarette lighters, pilot lights, electrical sparks and all other sources of ignition should be extinguished or avoided. Keep work area well ventilated.
- \* Dust generated from sanding wood floors can spontaneously ignite or explode. Promptly dispose of any sanding dust in a metal container clear of any combustibles. Do not dispose in a fire.
- \* Electrocutation could occur if the machine is being serviced while the machine is connected to a power source. Disconnect the power supply before servicing.
- \* Electrocutation or fire could occur if the machine is being operated with a damaged power cord. Keep the power cord clear of the pad. Always lift the cord over the machine. Do not move the machine by the power cord.
- \* Shock hazard. Do not use the machine if it has been rained on or sprayed with water.
- \* To avoid injury keep hands, feet, and loose clothing away from all moving parts on the machine. Disconnect the power cord before replacing the pad, changing the abrasive, or when servicing. Do not operate the machine unless all guards are in place. Never leave the machine unattended while connected to a power source.

#### **WARNING!**

- \* Injury can occur if protective clothing or equipment is not used while sanding. Always wear safety goggles, protective clothing, and dust mask while sanding.
- \* This sander is not to be used on pressure treated wood. Some pressure treated woods contain arsenic and sanding pressure treated wood produces hazardous dust. Inhaling hazardous dust from pressure treated wood can cause serious injury or death. Sanding pressure treated wood decks or uneven surfaces can damage the sander which is not covered under warranty or damage waiver.
- \* Any alterations or modifications of this machine could result in damage to the machine or injury to the operator or other bystanders. Alterations or modifications not authorized by the manufacturer voids any and all warranties and liabilities.

## SAVE THESE INSTRUCTIONS

## 120VAC GROUNDING INSTRUCTIONS

This appliance must be grounded. If it should electrically malfunction, grounding provides a path of least resistance for electric current to reduce the risk of electric shock. This appliance is equipped with a cord having an equipment-grounding conductor and grounding plug. The plug must be plugged into an appropriate outlet that is properly installed and grounded in accordance with all local codes and ordinances.

### **⚠ DANGER!**

Improper connection of the equipment-grounding conductor can result in a risk of electric shock. Check with a qualified electrician or service person if you are in doubt as to whether the outlet is properly grounded. Do not modify the plug provided with the appliance. If it will not fit the outlet, have a proper outlet installed by a qualified electrician.

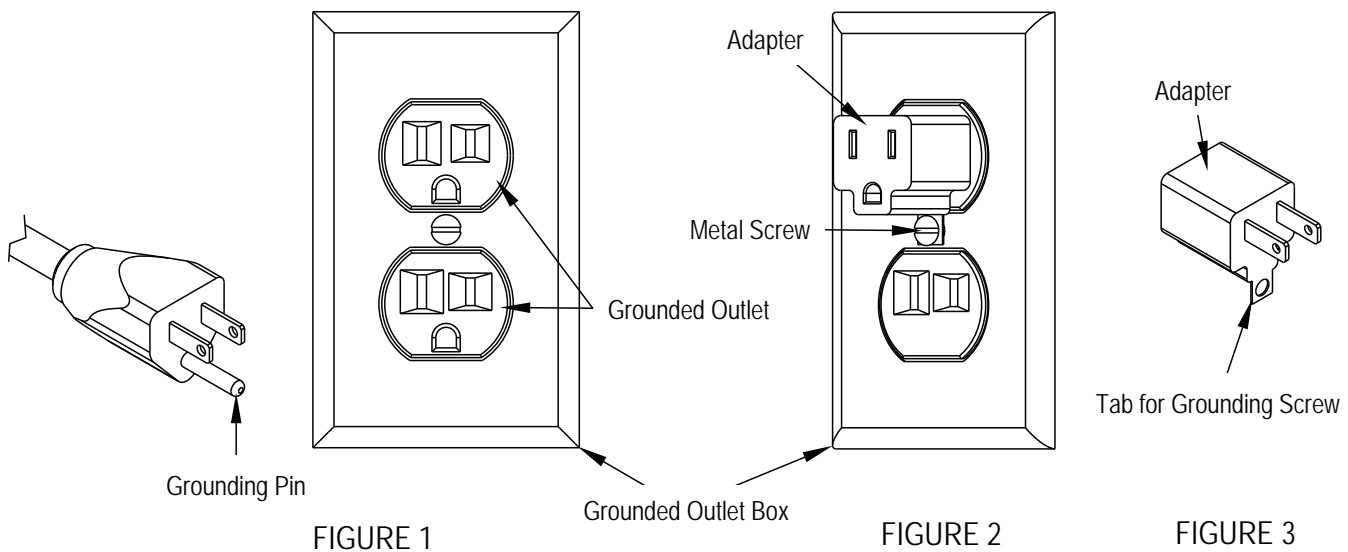
This appliance is for use on a nominal 120-volt circuit, and has a grounding plug that looks like the plug illustrated in Figure 1 below. A temporary adapter illustrated in Figures 2 and 3 may be used to connect this plug to a 2-pole receptacle as shown in Figure 2 if a properly grounded outlet is not available. The temporary adapter should be used only until a properly grounded outlet (Figure 1) can be installed by a qualified electrician. The green-colored rigid ear, tab, or the like extending from the adapter must be connected to a permanent ground such as a properly grounded outlet box cover. Whenever the adapter is used, it must be held in place by a metal screw. Grounding adapters are not approved for use in Canada.

Replace the plug if the grounding pin is damaged or broken.

The Green (or Green/Yellow) wire in the cord is the grounding wire. When replacing a plug, this wire must be attached to the grounding pin only.

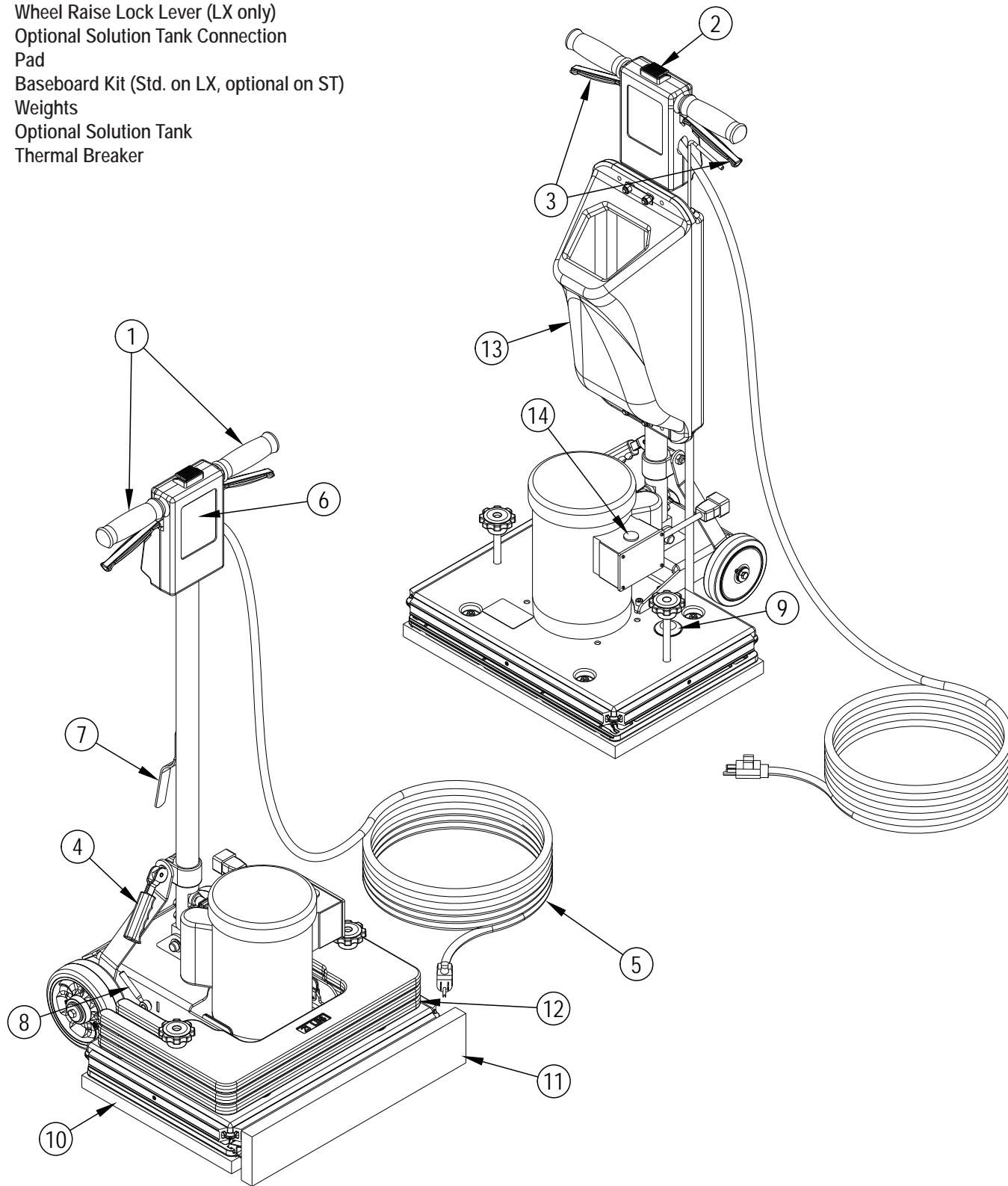
Extension cords connected to this machine should be 12 gauge minimum wire size, three-wire cords with three-prong plugs and outlets. DO NOT use extension cords more than 50 feet (15 m) long.

**PLEASE NOTE: FOR NORTH AMERICA ONLY**



### KNOW YOUR MACHINE

- 1 Operator Handle Grips
- 2 Switch Lever Safety Lock Button
- 3 Switch Levers - Squeeze - ON / Release - OFF
- 4 Handle Release Compression Lever
- 5 Power Cord
- 6 Operator Handle
- 7 Cord Hook
- 8 Wheel Raise Lock Lever (LX only)
- 9 Optional Solution Tank Connection
- 10 Pad
- 11 Baseboard Kit (Std. on LX, optional on ST)
- 12 Weights
- 13 Optional Solution Tank
- 14 Thermal Breaker



## TRANSPORTING THE MACHINE

To transport the machine, follow this procedure:

- 1 Unplug the machine from the wall outlet and wrap the Power Cord (5) around the Cord Hook (7) and the Operator Handle Grips (1).
- 2 Raise and lock the handle in the upright position. To lock the handle, push down on the Handle Release Compression Lever (4).
- 3 Remove all three weights (12) and place in cargo area.

### FM40 ST

- 4 Pick the machine up by grabbing the handle tube and the base and place in cargo area.

## ⚠ WARNING!

The machine is heavy (97.5 lbs./44.2 kg). To avoid injury or damage to the machine use a firm grip and proper lifting technique. Use two people, one person on each side of the machine as shown in **Figure 1**.

- 5 Secure machine to prevent movement in cargo area.

### FM40 LX

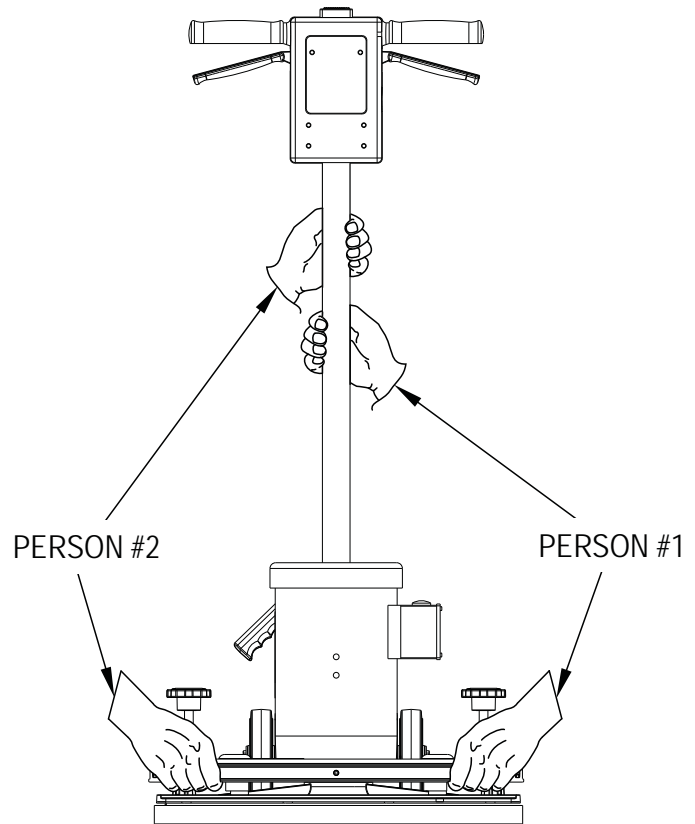
- 4 Remove the handle assembly from the base as shown in **Figure 2**.
  - A. Unplug the motor from the handle.
  - B. With the Wheel Lock Lever (8) in the up position (wheels down position), Slide Knob (A) back and flip Latch (B) up as shown. **NOTE:** There are two of these latches, one on each side of the motor.
  - C. Tilt the Handle Assembly (C) back slightly and roll it away from the Base Assembly (D).
- 5 Pick the base assembly up and place in cargo area.

## ⚠ WARNING!

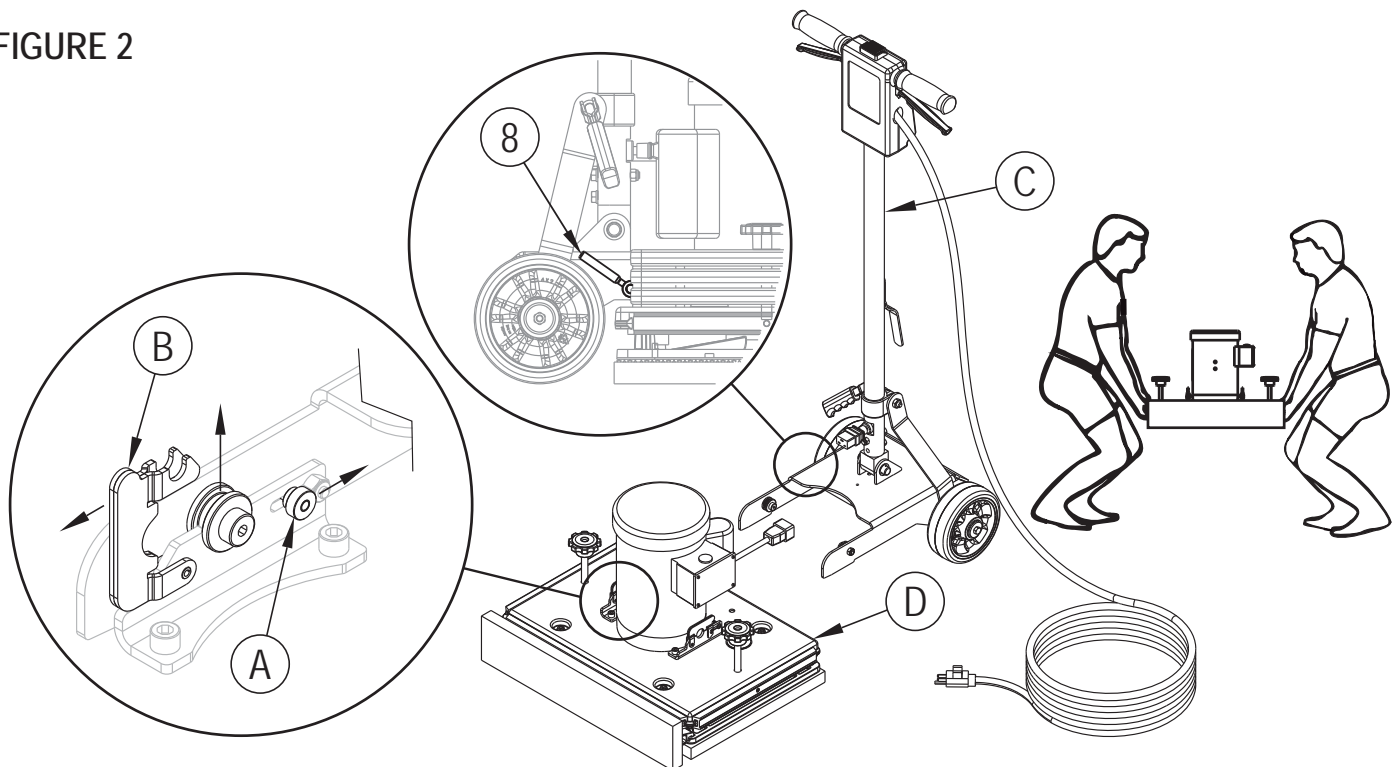
The base is heavy (about 78 lbs./35.4 kg). To avoid injury or damage to the machine use a firm grip and proper lifting technique. Use two people, one person on each side of the base as shown in **Figure 2**.

- 6 Carefully lift the handle assembly up and place in cargo area.
- 7 Secure machine to prevent movement in cargo area.

### FIGURE 1



### FIGURE 2



## MACHINE SETUP

To prepare the machine for use follow this procedure:

- 1 Familiarize yourself with the machine. Read all danger, warning, and caution statements and the Operation and Parts Manual before operating the machine.
- 2 Install or replace the Pad (10). The pad should be replaced if it has become matted down to a thickness of 3/8" (9.5mm) or less. To install or replace the pad, follow these instructions:
  - a.) Lock the Operator Handle (6) in the upright position.
  - b.) Tilt the machine back until it fully rests on the Handle (6).
  - c.) Standing over the machine, remove existing pad then center new pad over grip face.
  - d.) Press Pad (10) against grip face until the hooks in the driver have set in the pad. See Figure 3.
  - e.) Return machine to the upright position.



### CAUTION!

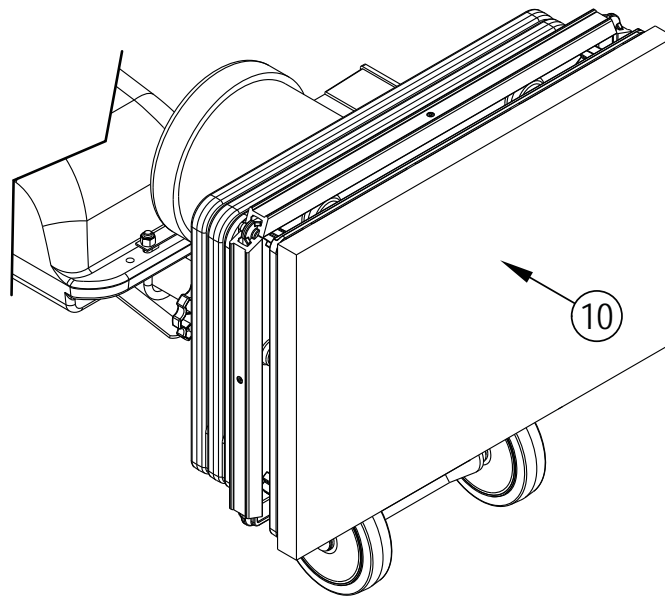
Damage to the grip face will occur if the machine is operated without a pad or with a pad that is 3/8" (9.5 mm) or thinner.



### WARNING!

Never put yourself or let others be in a position to get injured if the machine should tip or fall, while replacing the pad or changing abrasive. Injury can occur if the machine is connected to a power source while installing the pad or abrasive. Disconnect the machine before installing the pad or abrasive.

FIGURE 3





## OPERATING INSTRUCTIONS – FLOOR FINISH RECOAT PREP

To operate the machine with an abrasive, follow this procedure:

- 1 Move machine to work location. Decide the best approach to abrading the desired area. When operating the machine, work so that you are moving away from the power supply. This will help to avoid entanglement with the power cord and reduce the need to move the power cord as frequently.
- 2 Install the abrasive. Use the same procedure outlined in MACHINE SETUP for installing the pad. To install the abrasive, peel the film off the back of the abrasive; center the abrasive over the pad and press it against the pad. The adhesive on the abrasive will hold it to the pad.  
**NOTE:** When using screen or pad abrasive, set the screen on the floor then move the machine over the screen. Lower the machine until the pad comes to rest on the screen. Make sure the screen is centered on the pad.

### **⚠ WARNING!**

Injury can occur if the machine is connected to a power source while installing the pad or abrasive. Disconnect the machine before installing the pad or abrasive.

- 3 Connect the machine to an appropriately fused and grounded circuit.
- 4 Machine may be operated with the handle in the vertical position or lowered. Release the handle by pulling up on the Handle Release Compression Lever (4). Bring the handle to a comfortable position, and lock the handle.
- 5 See Figure 4. Push the Switch Lever Safety Lock Button (2), and apply pressure to the Switch Levers (3). To stop the machine, release the Switch Levers (3).

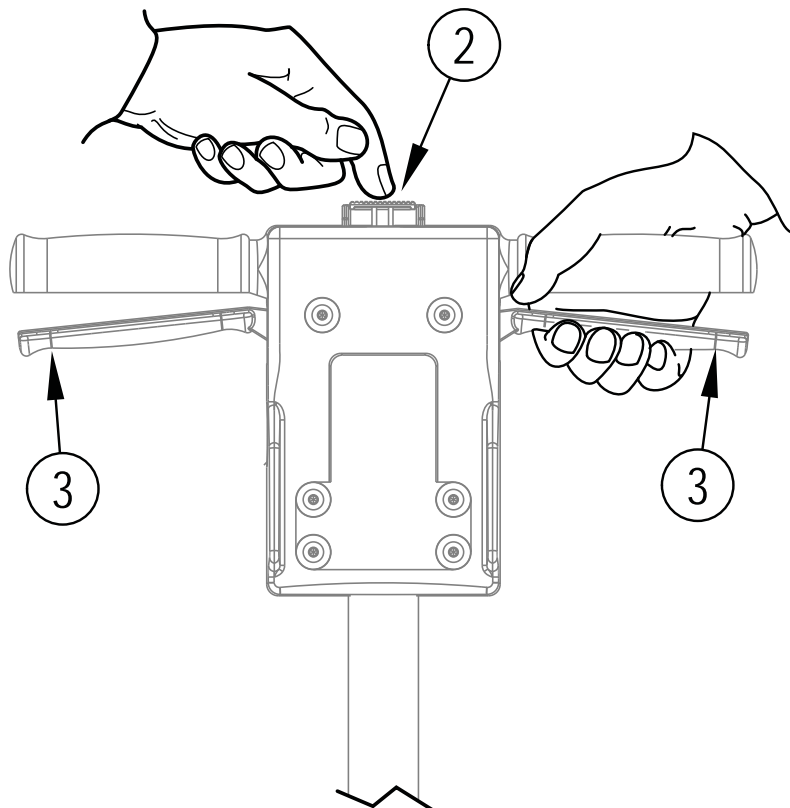
### **⚠ CAUTION!**

To prevent damage to the flooring and to reduce swirling, keep the machine in motion while the motor is running.

### FM40 LX – SWITCHING BETWEEN WHEELS-UP AND WHEELS-DOWN OPERATION

This model may be operated with the rear wheels up so that the pad deck is floating. Or it may be operated with the wheels down and in contact with the floor. In the down position, the machine moves forward and backward much like a lawn mower and is more controllable and less fatiguing. To switch between wheels up or wheels down position, activate the Lever (8) as shown in Figure 5 while applying pressure on the handle to lift the wheels.

FIGURE 4



## OPERATING INSTRUCTIONS - SCRUBBING

To operate the machine as a scrubber, follow this procedure:

- 1 Move machine to work location. Decide the best approach to scrubbing the desired area. When scrubbing the area, work so that you are moving away from the power supply. This will help to avoid entanglement with the power cord and reduce the need to move the power cord as frequently.
- 2 Follow the procedure outlined in MACHINE SETUP for installing the pad.

### **⚠ WARNING!**

Injury can occur if the machine is connected to a power source while installing the pad. Disconnect the machine before installing the pad.

- 3 Connect the machine to an appropriately fused and grounded circuit.
- 4 Release the handle by pulling up on the Handle Release Compression Lever (4). Bring the handle to a comfortable position, and lock the handle.
- 5 See Figure 4. Push the Switch Lever Safety Lock Button (2), and apply pressure to the Switch Levers (3). To stop the machine, release the Switch Levers (3).

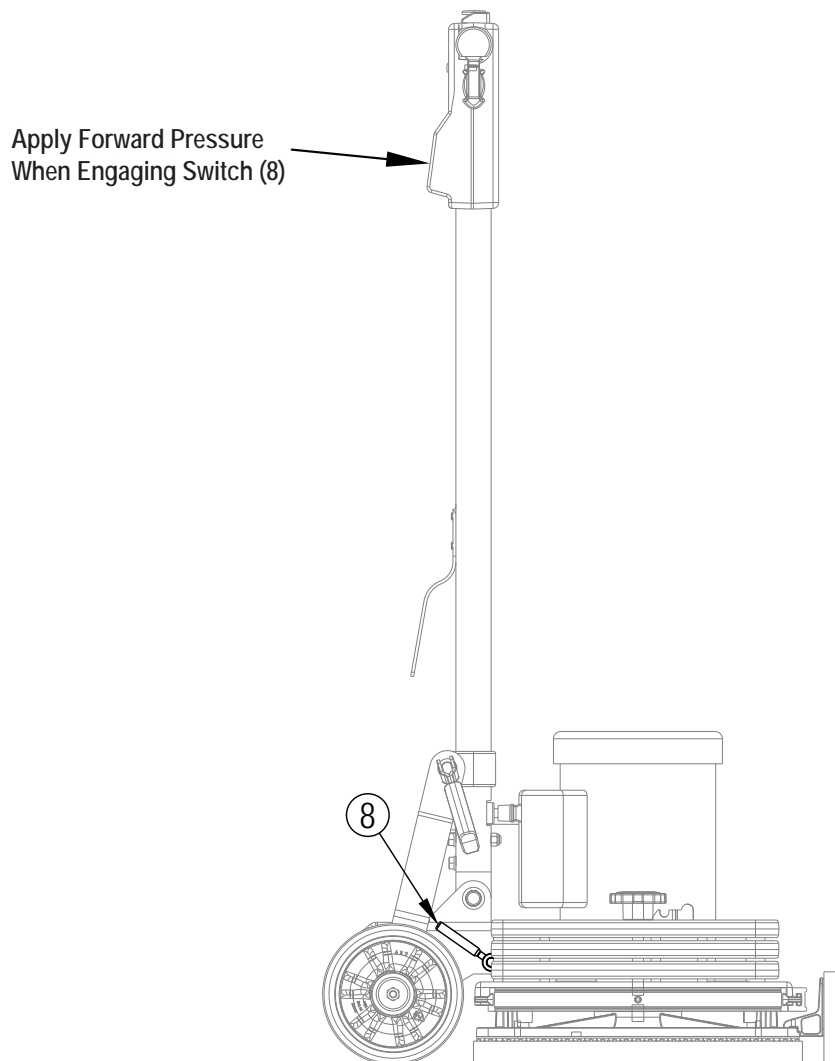
### **⚠ CAUTION!**

To prevent damage to the flooring and to reduce swirling, keep the machine in motion while the motor is running.

### FM40 LX – SWITCHING BETWEEN WHEELS-UP AND WHEELS-DOWN OPERATION

This model may be operated with the rear wheels up so that the pad deck is floating. Or it may be operated with the wheels down and in contact with the floor. In the down position, the machine moves forward and backward much like a lawn mower and is more controllable and less fatiguing. To switch between wheels up or wheels down position, activate the Lever (8) as shown in Figure 5 while applying pressure on the handle to lift the wheels.



FIGURE 5



**TROUBLESHOOTING**

Problem	Cause	Action
Motor will not start.	No power.	Check power supply and connection
	Switch Lever Safety Lock Button (2) not depressed	Depress Switch Lever Safety Lock Button (2) before activating Switch Levers (3).
	Defective switch / Faulty connection	Contact an authorized Clarke Dealer.
Motor fails to start / runs sluggish.	Low voltage from excessive length or undersized extension cord.	Use a 12 Ga extension cord, not to exceed 50' length.
	Defective start capacitor.	Contact an authorized Clarke Dealer.
	Defective start switch.	Contact an authorized Clarke Dealer.
	Defective start/run capacitor	Contact an authorized Clarke Dealer.
	Defective motor low voltage	Contact an authorized Clarke Dealer.
Fuse / Circuit Breaker repeatedly trips.	Low voltage.	Eliminate extension cord. Locate power source closer to work site. Have voltage checked by a qualified electrician.
	Bad connection.	Contact an authorized Clarke Dealer.
	Defective motor.	Contact an authorized Clarke Dealer.

**TECHNICAL SPECIFICATIONS (as installed and tested on the unit)**

<b>Model</b>	<b>FM40 ST</b>	<b>FM40 LX</b>
Model Number	56105618	56105620
Electrical	1.5HP - 115V/60Hz	1.5HP - 115V/60Hz
Pad/Brush Speed	3540 rpm	3540 rpm
Pad/Brush Size	14" x 20" (355mm x 508mm)	14" x 20" (355mm x 508mm)
Total Weight (w/cord)	160.5 lbs. (72.8 kg)	171 lbs. (77.5 kg)
Sound Pressure Level (ISO 11201)	69dBA	69dBA
Protection Grade	IPX0	IPX0
Protection Class		

**Material Composition and Recyclability**

Type	% of machine weight	% recyclable
Aluminum	1%	100%
Electrical / motors / engines - misc	38%	70%
Ferrous metals	52%	100%
Harnesses / cables	6%	67%
Liquids	0%	0%
Plastic - non-recyclable	2%	0%
Plastic - recyclable	1%	100%
Polyethylene	0%	0%
Rubber	1%	100%



## ÍNDICE

	Página
Introducción.....	A-2
Componentes y Servicio.....	A-2
Placa de identificación.....	A-2
Desembalaje de la máquina.....	A-2
Precauciones y advertencias.....	A-3
Instrucciones de conexión a tierra.....	A-4
Conozca su máquina.....	A-5
Transporte de la máquina.....	A-6
Instalación de la máquina.....	A-7
<b>Manejo de la máquina</b>	
Instrucciones de funcionamiento – Preparación para el recubrimiento de acabado para pisos.....	A-8
Instrucciones de funcionamiento - Fregado.....	A-9
Resolución de problemas.....	A-10
Especificaciones técnicas.....	A-10

## INTRODUCCIÓN

Este manual lo ayudará a aprovechar al máximo su máquina para pisos **Clarke**. Léalo con atención antes de utilizar la máquina.

**Nota:** Los números que aparecen en **negrita entre paréntesis** indican elementos ilustrados en la página A-5, a menos que se indique lo contrario.

Este producto está destinado exclusivamente a uso comercial.

## COMPONENTES Y SERVICIO

Las reparaciones, cuando sean necesarias, deben ser realizadas por su Centro Autorizado de Servicio Clarke, que utiliza personal de servicio formado en fábrica y lleva un inventario de las piezas de repuesto y accesorios Advance originales.

Llame a Advance para lo referente a piezas de repuesto o servicio. Por favor, especifique el modelo y el número de serie cuando hable de su máquina.

Si su distribuidor no puede ayudarlo, por favor llame a Clarke al 800-989-2235.

## MODIFICACIONES

Las modificaciones y los agregados a la máquina de limpieza que afecten su capacidad y su funcionamiento seguro no serán realizados por el cliente o el usuario sin la autorización previa y por escrito de Nilfisk-Advance Inc. Las modificaciones que no cuenten con la aprobación correspondiente anularán la garantía de la máquina y harán que el cliente sea responsable de cualquier accidente resultante.

## PLACA DE IDENTIFICACIÓN

El Número de Modelo y de Serie de la máquina se indican en la placa de identificación instalada en el compartimento de las baterías. Esta información es necesaria a la hora de solicitar repuestos para la máquina. Utilice el siguiente espacio para anotar el Modelo y el Número de Serie de su máquina para futuras consultas.

Modelo \_\_\_\_\_

Número de serie \_\_\_\_\_

## DESEMBALAJE DE LA MÁQUINA

Cuando reciba la máquina, examine con atención la caja del embalaje y la máquina, con el fin de comprobar si existe algún daño. Si observa algún daño, guarde la caja de embalaje (si procede) para que se pueda inspeccionar. Póngase en contacto inmediatamente con el Departamento de Servicio al Cliente de Advance para presentar una reclamación por daños en transporte.

## ¡ADVERTENCIA!

Los Productos a la venta en este Manual contienen, o pueden contener, productos químicos reconocidos por algunos gobiernos (como el Estado de California, según lo indica en su Proposición 65, Ley de Advertencia Regulatoria) como causantes de cáncer, defectos de nacimiento u otros daños reproductivos. En algunas jurisdicciones (incluido el Estado de California), los compradores de estos Productos que los coloquen en servicio en un emplazamiento laboral o en un espacio de acceso público tienen la obligación regulatoria de realizar determinados avisos, advertencias o divulgaciones respecto de los productos químicos contenidos o posiblemente contenidos en los Productos utilizados en tal lugar. Es la responsabilidad del comprador conocer y cumplir con todas las leyes y reglamentaciones relacionadas con el uso de estos Productos en tales entornos. El Fabricante niega toda responsabilidad de informar a los compradores sobre requisitos específicos que pueden regir el uso de los Productos en tales entornos.

## PRECAUCIONES Y ADVERTENCIAS

### SÍMBOLOS

Clarke utiliza los símbolos que se indican más abajo para señalar situaciones potencialmente peligrosas. Lea cuidadosamente esta información y emprenda las acciones que resulten necesarias para proteger a personas y objetos.

#### ¡PELIGRO!

Se utiliza para advertir de riesgos inmediatos que producirán lesiones personales graves o incluso fatales.

#### ¡ADVERTENCIA!

Se utiliza para llamar la atención sobre una situación que podría producir lesiones personales graves.

#### ¡PRECAUCIÓN!

Se utiliza para llamar la atención sobre una situación que podría provocar lesiones personales leves o daños en la máquina u otros objetos.



Lea todas las instrucciones antes de utilizar la máquina.

## INSTRUCCIONES GENERALES DE SEGURIDAD

Se incluyen precauciones y advertencias específicas que advierten de los peligros potenciales de daños a la máquina o lesiones personales.

#### ¡PELIGRO!

- \* Si no lee el manual del operador antes de utilizar o realizar el mantenimiento de la máquina Clarke, el resultado puede ser que usted u otro empleado sufra lesiones. Asimismo, pueden producirse daños a la máquina o a otras propiedades. Antes de utilizar la máquina, es necesario recibir la capacitación adecuada en el funcionamiento de la misma. **Si usted o el/los operador(es) no saben leer en inglés, pida a otra persona que les explique exhaustivamente este manual antes de intentar utilizar la máquina.**
- \* El lijado/acabado de pisos de madera puede crear un entorno explosivo o combustible. No utilice la máquina cerca de solventes, diluyentes, alcohol, combustibles, acabados de pisos, polvo de madera u otros materiales inflamables. Los encendedores, las lámparas indicadoras, las chispas eléctricas y cualquier otra fuente de ignición deben extinguirse o evitarse. Mantenga el área de trabajo bien ventilada.
- \* El polvo que se genera de pulir pisos de madera puede encenderse o explotar espontáneamente. Elimine rápidamente el polvo de lijado en un recipiente de metal que no contenga ningún combustible. No arroje el polvo al fuego.
- \* Puede producirse electrocución si se repara o se realiza el mantenimiento de la máquina mientras se encuentra conectada a una fuente de alimentación. Desconecte la fuente de alimentación antes de realizar tareas de mantenimiento y reparación.
- \* Si la máquina se utiliza con un cable de alimentación dañado podría producirse electrocución o un incendio. Mantenga el cable de alimentación separado de la almohadilla. Pase siempre el cable por encima de la máquina. No utilice el cable de alimentación para mover la máquina.
- \* Riesgo de descarga eléctrica. No utilice la máquina si ha estado expuesta a la lluvia o ha sido rociada con agua.
- \* Mantenga las manos, los pies y la vestimenta suelta alejados de todas las partes móviles de la máquina para evitar lesiones. Desconecte el cable de alimentación antes de reemplazar la almohadilla, cambiar el abrasivo o realizar mantenimiento o reparaciones. No utilice la máquina a no ser que todas sus protecciones estén en su lugar. Nunca deje la máquina sin vigilancia mientras está conectada a una fuente de alimentación.

#### ¡ADVERTENCIA!

- \* Si no se utilizan la vestimenta o el equipo de protección mientras se realizan tareas de lijado, pueden producirse lesiones. Use anteojos de seguridad, vestimenta de protección y máscara antipolvo siempre que esté realizando tareas de lijado.
- \* Esta lijadora no debe utilizarse sobre madera tratada a presión. Algunas maderas tratadas a presión contienen arsénico y el pulido de madera tratada a presión produce un polvo nocivo. La inhalación de polvo nocivo de madera tratada a presión puede causar lesiones serias o la muerte. El lijado de plataformas de madera tratada a presión o superficies irregulares puede dañar la lijadora lo cual no está cubierto por la garantía o la exención de responsabilidad por daños.
- \* Todas las alteraciones o modificaciones realizadas sobre esta máquina pueden dañarla o lesionar al operador o a otras personas que se encuentren en el lugar. Las alteraciones o modificaciones no autorizadas por el fabricante anulan todas las garantías y responsabilidades.

## GUARDE ESTAS INSTRUCCIONES

## INSTRUCCIONES DE CONEXIÓN A TIERRA 120VAC

Este artefacto debe conectarse a tierra. En caso de que se produzca algún fallo eléctrico, la conexión a tierra ofrece una vía de resistencia menor para la corriente eléctrica, reduciendo el riesgo de descarga eléctrica. Este aparato está equipado con un cable con conductor de conexión a tierra del equipo y enchufe de conexión a tierra. El enchufe debe conectarse a una toma de corriente debidamente instalada y conectada a tierra de acuerdo con todas las normas y ordenanzas locales.

### ⚠ ¡PELIGRO!

La conexión incorrecta del conductor de conexión a tierra del equipo puede suponer un riesgo de descarga eléctrica. Consulte a un electricista cualificado o al personal de servicio en caso de duda acerca de la correcta conexión a tierra de la toma de corriente. No modifique el enchufe suministrado junto con el aparato. En caso de que este enchufe no sirva para la toma de corriente, pida a un electricista cualificado que instale una toma de corriente adecuada.

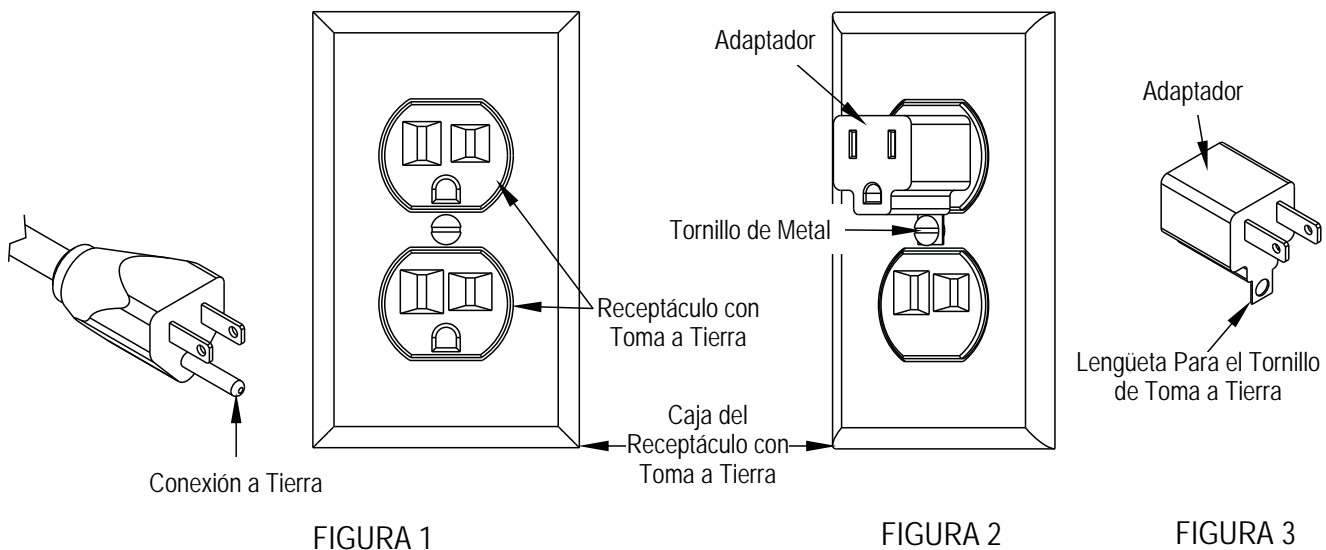
Este aparato se usa con un circuito de 120 voltios nominales, y tiene un enchufe con toma a tierra tal como se muestra en la Figura 1, a continuación. Se puede usar un adaptador provisorio tal como se ve en las Figuras 2 y 3 en caso de disponerse de un receptáculo sin toma a tierra como en la Figura 2. Dicho adaptador provisorio se usará solamente hasta que un electricista cualificado instale un receptáculo con la toma a tierra correspondiente (Figura 1). La lengüeta de conexión de color verde que sale del adaptador deberá ser conectada a una toma a tierra permanente como, por ejemplo, la caja del receptáculo con toma a tierra. La lengüeta de conexión de color verde que sale del adaptador deberá ser conectada a una toma a tierra permanente como, por ejemplo, la caja del receptáculo con toma a tierra. El uso de adaptadores de conexión a tierra no está aprobado en Canadá.

Sustituya el enchufe si la patilla de tierra está dañada o rota.

El hilo Verde (o Verde/Amarillo) del cordón es el hilo de tierra. Cuando sustituya el enchufe, este hilo sólo debe ir conectado a la patilla de tierra.

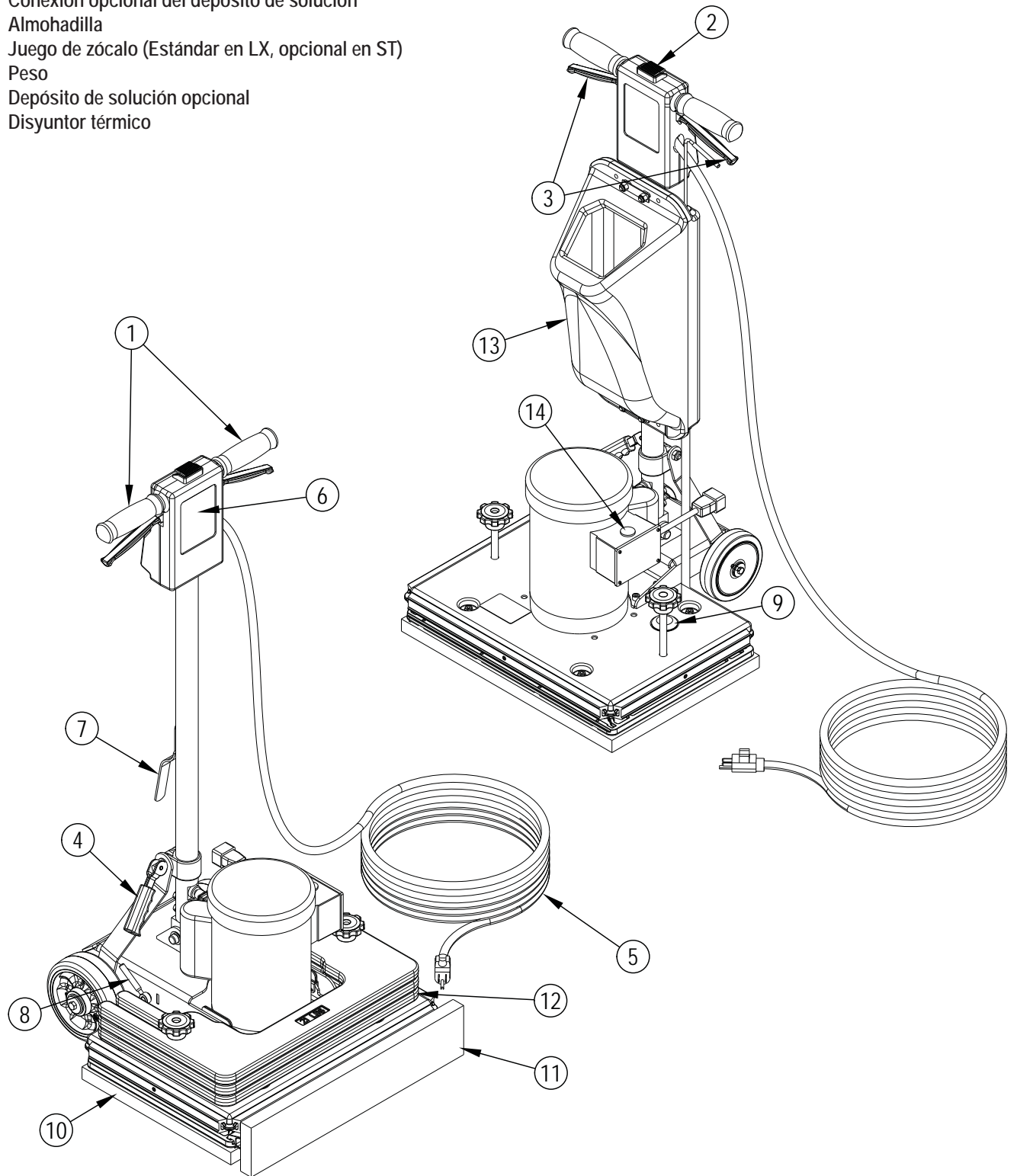
Los cables alargadores conectados a esta máquina deben ser de un calibre mínimo de 12, trifilares, con tres patillas y tomas de pared adecuadas. NO utilice cables alargadores de más de 15 m.

### ATENCIÓN: PARA AMÉRICA DEL NORTE SOLAMENTE



## CONOZCA SU MÁQUINA

- 1 Manillar del operario
- 2 Botón de bloqueo de seguridad de las palancas de encendido
- 3 Palancas de encendido - Apretar: ENCENDIDO / Soltar: APAGADO
- 4 Palanca de compresión para soltar la manija
- 5 Cable de alimentación
- 6 Mango del operario
- 7 Gancho de sujeción del cable
- 8 Palanca de bloqueo de elevación de la rueda (únicamente en LX)
- 9 Conexión opcional del depósito de solución
- 10 Almohadilla
- 11 Juego de zócalo (Estándar en LX, opcional en ST)
- 12 Peso
- 13 Depósito de solución opcional
- 14 Disyuntor térmico





## TRANSPORTE DE LA MÁQUINA

Para mover la máquina siga este procedimiento:

- 1 Desenchufe la máquina del tomacorriente de pared y enrolle el cable de alimentación (5) al rededor del gancho de sujeción del cable (7) y de los manillares del operario (1).
- 2 Eleve y bloquee la manija en posición vertical. Para bloquear la manija, empuje hacia abajo la palanca de compresión para aflojar la manija (4).
- 3 Extraiga las tres pesas (12) y colóquelas en el área de carga.

### FM40 ST

- 4 Recoja la máquina sosteniendo el mango de compresión y la base y ubíquela en el área de carga.

## ⚠ ¡ADVERTENCIA!

La máquina es pesada (97,5 libras/44,2 kg). Para evitar lesiones al operador o daños a la máquina utilice una técnica adecuada de sujeción y elevación.

Utilice dos personas, una de cada lado, como lo muestra la **Figura 1**.

- 5 Asegure la máquina para evitar movimientos en el área de carga.

### FM40 LX

- 4 Retire el ensamblaje del mango de la base, como lo muestra la **Figura 2**.

- A. Desconecte el motor del mango.
- B. Con la palanca de bloqueo de la rueda (8) elevada (ruedas hacia abajo), la perilla (A) deslizada hacia atrás y la traba (B) para arriba como se muestra en la ilustración. **NOTA:** Hay dos trabas, una de cada lado del motor.
- C. Inclíne ligeramente hacia atrás el conjunto de la manija (C) y desplácela lejos del conjunto básico (D).

- 5 Levante el conjunto básico y colóquelo en el área de carga.

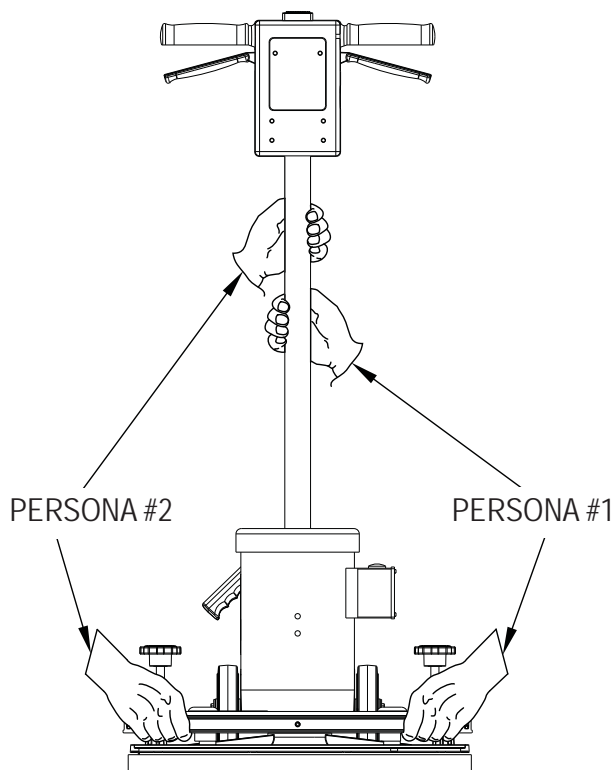
## ⚠ ¡ADVERTENCIA!

La base es pesada (cerca de 78 libras/35,4 kg). Para evitar lesiones al operador o daños a la máquina utilice una técnica adecuada de sujeción y elevación. Utilice dos personas, una de cada lado de la base, como lo muestra la **Figura 2**.

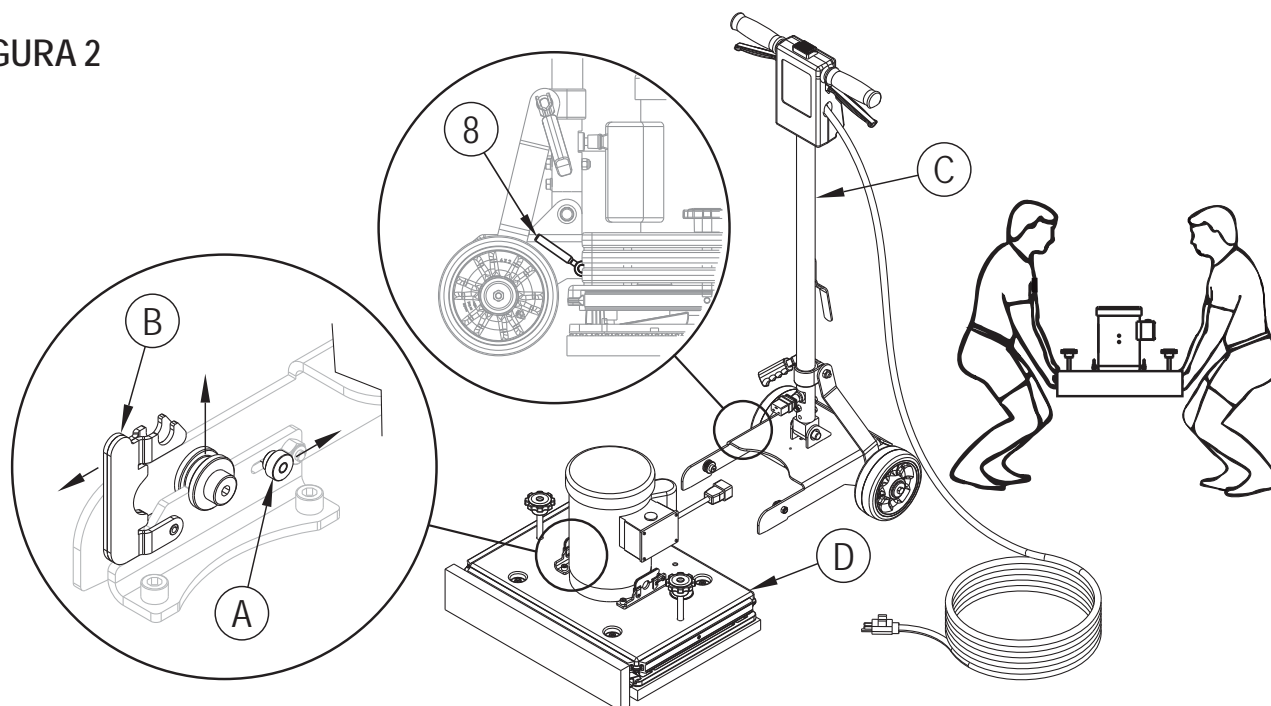
- 6 Levante cuidadosamente el conjunto de la manija y colóquelo en el área de carga.

- 7 Asegure la máquina para evitar movimientos en el área de carga.

### FIGURA 1



### FIGURA 2



## INSTALACIÓN DE LA MÁQUINA

Si desea preparar la máquina para su uso, siga este procedimiento:

- 1 Familiarícese con la máquina. Lea todas las indicaciones de peligro, advertencia y precaución, así como el manual de instrucciones y piezas, antes de utilizar la máquina.
- 2 Instale o reemplace la almohadilla (10). Si la almohadilla se ha desgastado a un espesor de 3/8" (9.5mm) o menos, debe ser reemplazada. Para instalar o reemplazar la almohadilla, siga estas instrucciones:
  - a.) Trabe la palanca del operario (6) en posición vertical.
  - b.) Incline la máquina hacia atrás hasta que esté completamente apoyada en la manija (6).
  - c.) Situándose sobre la máquina, retire la almohadilla existente y luego, centre la nueva almohadilla sobre la superficie de sujeción.
  - d.) Presione la almohadilla (10) contra la superficie de sujeción hasta que los ganchos del impulsor se fijen en la almohadilla.  
Consulte la figura 3.
  - e.) Vuelva a situar la máquina en posición vertical.

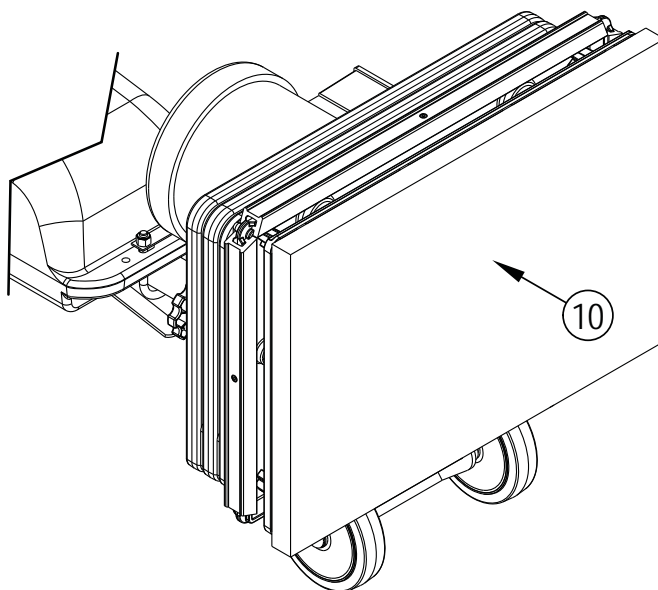
### ⚠ ¡PRECAUCIÓN!

La superficie de sujeción se daña si la máquina se opera sin una almohadilla o con una almohadilla cuyo grosor sea de 3/8" (9.5 mm) o menos.

### ⚠ ¡ADVERTENCIA!

Mientras sustituye la almohadilla o cambia el abrasivo, nunca se sitúe usted mismo (ni deje que otras personas lo hagan) en una posición en la que pueda lesionarse si la máquina se inclina o cae. Puede producirse una lesión si se instalan la almohadilla o el abrasivo mientras la máquina se encuentra conectada a una fuente de alimentación. Desconecte la máquina antes de instalar la almohadilla o el abrasivo.

FIGURA 3



## MANUAL DE INSTRUCCIONES – PREPARACIÓN PARA EL RECUBRIMIENTO DE ACABADO PARA PISOS

Para operar la máquina con un abrasivo, siga este procedimiento:

- 1 Desplace la máquina al lugar de trabajo. Seleccione el mejor método para abrasión del área deseada. Mientras utiliza la máquina, trabaje de manera tal que usted se aleje de la fuente de alimentación. Esto ayudará a evitar que el cable de alimentación se enrede y reduce la necesidad de mover dicho cable con tanta frecuencia.
- 2 Instale el abrasivo. Para instalar la almohadilla, utilice el mismo procedimiento descrito en **INSTALACIÓN DE LA MÁQUINA**. Para instalar el abrasivo, retire la película de la parte posterior del abrasivo, centre el mismo sobre la almohadilla y presiónelo contra ésta. El adhesivo del abrasivo lo sostendrá en la almohadilla.  
**NOTA:** Si utiliza abrasivo de tela metálica, sitúe la tela metálica sobre el suelo y a continuación desplace la máquina sobre la misma. Baje la máquina hasta que la almohadilla se apoye sobre la tela metálica. Asegúrese de que la tela metálica esté centrada en la almohadilla.

### ⚠ ¡ADVERTENCIA!

Puede producirse una lesión si se instalan la almohadilla o el abrasivo mientras la máquina se encuentra conectada a una fuente de alimentación. Desconecte la máquina antes de instalar la almohadilla o el abrasivo.

- 3 Conecte la máquina a un circuito adecuadamente provisto de fusibles y conectado a tierra.
- 4 La máquina debe ser utilizada con el mango en posición vertical o más abajo. Libere la palanca tirando de la palanca de compresión para aflojar la manija (4). Coloque la palanca en una posición cómoda, y bloquéela.
- 5 Consulte la figura 4. Pulse botón de bloqueo de seguridad de las palancas de encendido (2), y aplique presión sobre las palancas (3). Para detener la máquina, suelte las palancas de encendido (3).

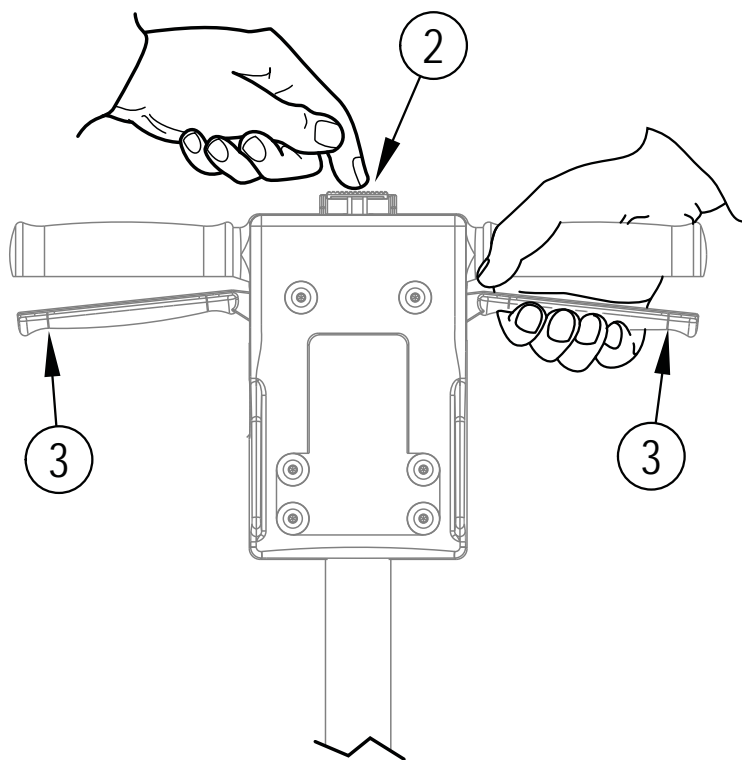
### ⚠ ¡PRECAUCIÓN!

Para evitar dañar el suelo y reducir los remolinos, mantenga la máquina en movimiento mientras el motor esté en funcionamiento.

### FM40 LX – ALTERNAR ENTRE OPERACIÓN DE RUEDAS ARRIBA Y RUEDAS ABAJO

Este modelo puede ser usado con las ruedas traseras hacia arriba de manera que la plataforma de la almohadilla quede flotando. O puede usarse con las ruedas hacia abajo y en contacto con el suelo. En la posición hacia abajo, la máquina se mueve hacia adelante y hacia atrás similar a una cortadora de césped y es más controlable y menos cansadora. Para alternar entre las posiciones de ruedas hacia arriba y ruedas hacia abajo, active la palanca (8) como lo muestra la figura 5 mientras ejerce presión en la manija para liberar las ruedas.

FIGURA 4



## INSTRUCCIONES DE FUNCIONAMIENTO - FREGADO

Para operar la máquina como una fregadora, siga este procedimiento:

- 1 Desplace la máquina al lugar de trabajo. Seleccione el mejor método para fregar el área deseada. Mientras limpia dicha área, trabaje de manera tal que usted se aleje de la fuente de alimentación. Esto ayudará a evitar que el cable de alimentación se enrede y reduce la necesidad de mover dicho cable con tanta frecuencia.
- 2 Para instalar la almohadilla, utilice el procedimiento descrito en **INSTALACIÓN DE LA MÁQUINA**.

### ⚠ ¡ADVERTENCIA!

Puede producirse una lesión si se instala la almohadilla mientras la máquina se encuentra conectada a una fuente de alimentación. Desconecte la máquina antes de instalar la almohadilla.

- 3 Conecte la máquina a un circuito adecuadamente provisto de fusibles y conectado a tierra.
- 4 Libere la palanca tirando de la palanca de compresión para aflojar la manija (4). Coloque la palanca en una posición cómoda, y bloquéela.
- 5 **Consulte la figura 4.** Pulse botón de bloqueo de seguridad de las palancas de encendido (2), y aplique presión sobre las palancas (3). Para detener la máquina, suelte las palancas de encendido (3).

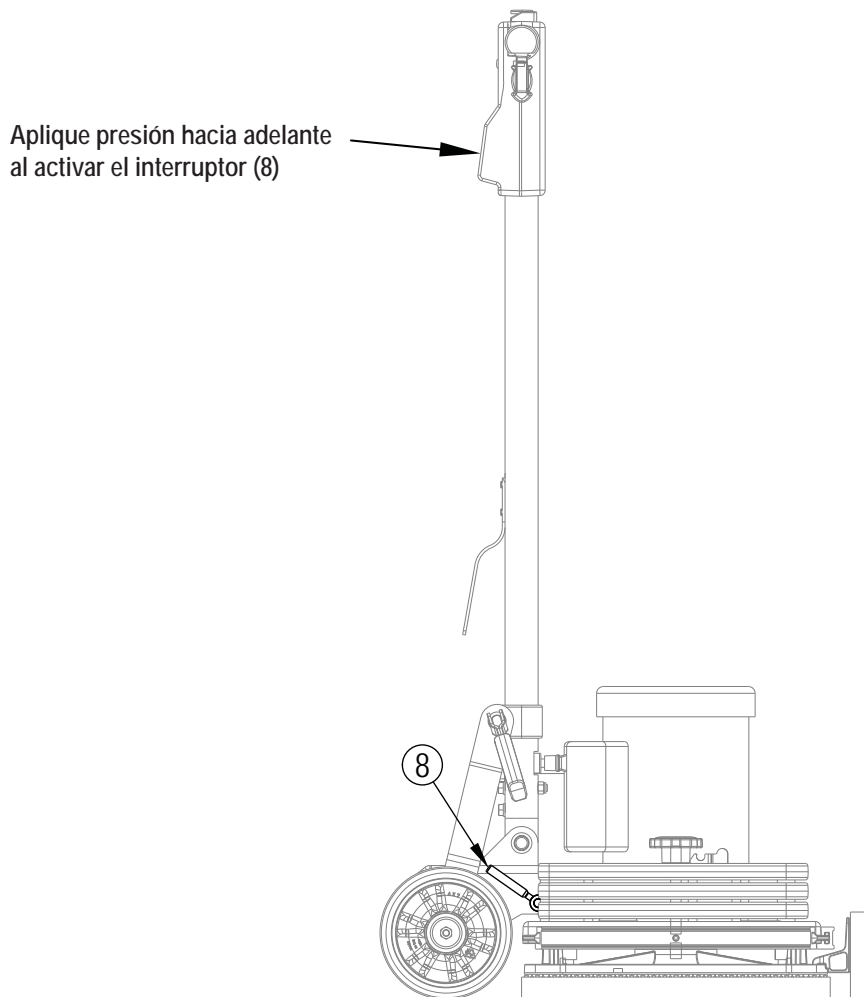
### ⚠ ¡PRECAUCIÓN!

Para evitar dañar el suelo y reducir los remolinos, mantenga la máquina en movimiento mientras el motor esté en funcionamiento.

### FM40 LX – ALTERNAR ENTRE OPERACIÓN DE RUEDAS ARRIBA Y RUEDAS ABAJO

Este modelo debe ser operado con las ruedas traseras arriba de manera que la plataforma de la almohadilla quede flotando. O puede usarse con las ruedas hacia abajo y en contacto con el suelo. En la posición hacia abajo, la máquina se mueve hacia adelante y hacia atrás similar a una cortadora de césped y es más controlable y menos cansadora. Para alternar entre las posiciones de ruedas hacia arriba y ruedas hacia abajo, active la palanca (8) como lo muestra la figura 5 mientras ejerce presión en la manija para liberar las ruedas.



FIGURA 5



## RESOLUCIÓN DE PROBLEMAS

Problema	Causa	Acción
El motor no arranca.	No hay potencia.	Inspeccione la fuente de alimentación y la conexión
	El botón de bloqueo de seguridad de las palancas de encendido (2) no está presionado	Presione el botón de bloqueo de seguridad de las palancas de encendido (2) antes de activar las palancas de encendido (3).
	Interruptor defectuoso / mala conexión	Póngase en contacto con un distribuidor autorizado de Clarke.
El motor no arranca / funciona lento.	Baja tensión debido a demasiada longitud o alargador corto.	Use un alargador de calibre 12, que no supere 50' de longitud.
	El capacitor de arranque es defectuoso.	Póngase en contacto con un distribuidor autorizado de Clarke.
	El interruptor de arranque es defectuoso.	Póngase en contacto con un distribuidor autorizado de Clarke.
	Capacitor de arranque/funcionamiento defectuoso	Póngase en contacto con un distribuidor autorizado de Clarke.
El fusible / disyuntor se desconecta constantemente.	Baja tensión.	Elimine el alargador. Localice la fuente eléctrica más cercana al lugar de trabajo. Haga que la tensión sea inspeccionada por un electricista calificado.
	Conexión defectuosa.	Póngase en contacto con un distribuidor autorizado de Clarke.
	El motor está defectuoso.	Póngase en contacto con un distribuidor autorizado de Clarke.

## ESPECIFICACIONES TÉCNICAS (SEGÚN LA INSTALACIÓN DE LA UNIDAD Y LAS PRUEBAS A LAS QUE SE HA SOMETIDO)

Modelo	FM40 ST	FM40 LX
Número de modelo	56105618	56105620
Eléctricas	1.5HP - 115V/60Hz	1.5HP - 115V/60Hz
Velocidad del cepillo/bayeta	3540 rpm	3540 rpm
Tamaño del disco/ cepillo	14" x 20" (355mm x 508mm)	14" x 20" (355mm x 508mm)
Peso total (con el cable)	160,5 lbs. (72,8 kg)	171 lbs. (77,5 kg)
Nivel de presión sonora (ISO 11201)	69dBA	69dBA
Grado de protección	IPX0	IPX0
Tipo de protección		

Composición del Material y Reciclabilidad

Tipo	% de peso de la máquina	% reciclable
Aluminio	1%	100%
Eléctricas/ motores/máquinas - otros	38%	70%
Metales ferrosos	52%	100%
Arnés (de seguridad)/ cables	6%	67%
Líquidos	0%	0%
Plástico no reciclable	2%	0%
Plástico reciclable	1%	100%
Polietileno	0%	0%
Goma	1%	100%



## TABLE DES MATIÈRES

	Page
Introduction.....	A-2
Pièces et service après-vente .....	A-2
Plaque d'identification.....	A-2
Déballage de la machine.....	A-2
Avertissements .....	A-3
Instructions de mise à la terre .....	A-4
Apprenez à connaître votre machine.....	A-5
Transport de la machine.....	A-6
Préparation de la machine.....	A-7
<b>Fonctionnement de la machine</b>	
Instructions d'utilisation – Préparation de la reprise de la couche de finition .....	A-8
Instructions d'utilisation – Nettoyage .....	A-9
Dépannage .....	A-10
Caractéristiques techniques .....	A-10

## INTRODUCTION

Ce manuel vous permettra d'exploiter au maximum les fonctionnalités de votre machine **Clarke**. Lisez-le soigneusement avant d'effectuer l'entretien de l'appareil.

**Remarque : les chiffres en gras et entre parenthèses indiquent un élément illustré à la page A-5, sauf indication contraire.**

Ce produit est uniquement destiné à un usage commercial.

## PIÈCES ET SERVICE

Les réparations, lorsque requises, devrait être effectuées par votre Centre de service autorisé Clarke, qui emploie du personnel de service formé en usine, et qui conserve un inventaire de pièces de remplacement et d'accessoires d'origine Clarke.

Communiquez avec Clarke pour des pièces de rechange ou du service. Veillez spécifier le modèle et le numéro de série quand vous parlez de votre machine.

Si votre revendeur ne peut pas vous aider, veuillez appeler Clarke au 800-989-2235.

## MODIFICATIONS

Le client ou l'utilisateur ne doit en aucun cas apporter de modifications ou d'ajouts à la machine de nettoyage susceptibles de modifier sa capacité et son fonctionnement en toute sécurité sans l'accord préalable écrit de Nilfisk-Advance Inc. Toute modification n'ayant pas fait l'objet d'un accord annuleront la garantie de l'appareil et rendront le client responsable des accidents.

## PLAQUE D'IDENTIFICATION

Le modèle et le numéro de série de votre machine figurent sur la plaque d'identification située dans le compartiment de la batterie. Ces renseignements sont nécessaires au moment de passer une commande de pièce de réparation pour l'appareil. Utiliser l'espace ci-dessous pour inscrire le modèle et le numéro de série de votre machine pour référence ultérieure.

Modèle \_\_\_\_\_

Numéro de série \_\_\_\_\_

## DÉBALLAGE DE LA MACHINE

Lors de la livraison de la machine, veuillez inspecter soigneusement l'emballage et la machine afin de déceler tout dommage éventuel. En cas de dommage manifeste, conservez le carton de conditionnement (au besoin) afin d'en permettre l'inspection. Le cas échéant, prenez immédiatement contact avec le service clientèle d'Clarke afin de faire une déclaration de dommage de fret.

## AVERTISSEMENT !

Les appareils vendus avec ce manuel contiennent ou peuvent contenir des produits chimiques reconnus par certains gouvernements (comme l'État de Californie, dans sa proposition 65) comme pouvant causer le cancer, des malformations congénitales ou d'autres anomalies de la reproduction. Dans certains endroits (y compris l'État de Californie), les acheteurs de ces appareils qui les mettent en service sur un chantier ou un espace accessible au public sont requis par la réglementation d'émettre certains avis, avertissements ou divulgations concernant les produits chimiques qui sont ou peuvent être contenus dans les appareils sur ces sites. L'acheteur est responsable de connaître toutes les lois et tous les règlements relatifs à l'utilisation de ces appareils dans de tels environnements et de s'y conformer. Le fabricant décline toute responsabilité d'aviser les acheteurs des exigences particulières qui pourraient être requises pour l'utilisation des appareils dans de tels environnements.

# PRÉCAUTIONS ET AVERTISSEMENTS

## SYMBOLES

Clarke utilise les symboles ci-dessous pour indiquer des conditions potentiellement dangereuses. Lisez ces renseignements et prenez les mesures nécessaires pour protéger les gens et les objets.

### DANGER !

Est utilisé pour avertir de dangers immédiats qui causeront de graves blessures personnelles ou la mort.

### AVERTISSEMENT !

Est utilisé pour attirer l'attention sur une situation qui pourrait causer de graves blessures personnelles.

### ATTENTION !

Est utilisé pour attirer l'attention sur une situation qui pourrait de blessures personnelles mineures ou endommager l'appareil ou les autres objets.



Lisez toutes les directives avant l'utilisation.

## DIRECTIVES DE SÉCURITÉ GÉNÉRALES

Des précautions et des avertissements particuliers sont inclus afin de vous avertir des dangers potentiels de dommages pouvant survenir à l'appareil ou des dangers potentiels de blessure corporelle.

### DANGER !

- \* Si vous ne lisez pas le manuel d'utilisation avant d'utiliser ou d'entretenir votre machine Clarke, vous risquez de vous blesser mais également de blesser d'autres personnes, d'endommager la machine et de provoquer des dégâts matériels. Vous devez avoir été formé à l'utilisation d'une telle machine avant de l'utiliser. **Si vous ou votre (vos) opérateur(s) ne pouvez pas lire le français, faites-vous expliquer entièrement ce manuel avant de commencer toute utilisation de cette machine.**
- \* Le ponçage/la finition des planchers peut générer un environnement explosif ou combustible. N'utilisez pas cette machine près de solvants, diluants, alcools, carburants, vernis à parquets, poussière de bois ou autres substances inflammables. Les briquets, les témoins, les étincelles électriques et toutes autres sources d'allumage doivent être éteints ou évités. La zone de travail doit être bien aérée.
- \* La poussière générée par le ponçage des parquets peut s'enflammer ou exploser soudainement. Jetez rapidement toute la poussière de ponçage dans un récipient métallique ne contenant aucun combustible. Ne jetez pas la poussière dans un feu.
- \* Une électrocution peut survenir si la machine est en cours d'entretien alors qu'elle est raccordée à une source d'alimentation électrique. Débranchez l'alimentation électrique avant un entretien quelconque.
- \* Une électrocution ou un incendie peuvent survenir si la machine est utilisée avec un cordon électrique endommagé. Le cordon d'alimentation doit rester à bonne distance du patin de ponçage. Le cordon doit toujours être soulevé au-dessus de la machine. Ne déplacez pas la machine en la tirant par le cordon.
- \* Risque d'électrocution. N'utilisez pas la machine si elle a été exposée à la pluie ou arrosée avec de l'eau.
- \* Pour éviter toute blessure, les mains, les pieds et les vêtements amples doivent rester à bonne distance des pièces mobiles de la machine. Débranchez le cordon électrique avant de remplacer le patin de ponçage ou le papier abrasif, ou avant une tâche d'entretien. N'utilisez pas la machine si toutes les protections ne sont pas en place. Ne laissez jamais la machine sans surveillance quand elle est branchée à une prise électrique.

### AVERTISSEMENT !

- \* Des blessures peuvent survenir si une tenue de protection n'est pas portée ou si un équipement de protection n'est pas utilisé pendant le ponçage. Portez toujours des lunettes de sécurité, des vêtements de protection et un masque anti poussières pendant le ponçage.
- \* Cette ponceuse ne doit pas être utilisée sur du bois traité sous pression. Certains bois traités sous pression contiennent de l'arsenic, et le ponçage du bois traité sous pression produit des poussières dangereuses. L'inhalation de poussières dangereuses générée par du bois traité sous pression risque d'entraîner des blessures graves, voire un décès. Le ponçage du bois traité sous pression ou de surfaces irrégulières risque d'endommager la ponceuse, ce qui n'est pas couvert par la garantie ou l'exonération de responsabilité.
- \* Toute modification ou changement apportés à cette machine peut l'endommager ou blesser l'opérateur ou d'autres personnes se trouvant à proximité. Les modifications et changements qui n'ont pas été expressément autorisés par le fabricant annulent toute garantie. La responsabilité du fabricant se trouve de ce fait entièrement dérogée.

## CONSERVER CES INSTRUCTIONS



## CONSIGNES DE MISE À LA TERRE 120 V CA

Il faut mettre cette machine à la terre. En cas de défectuosité électrique, la mise à la terre offre un chemin de moindre résistance au courant pour réduire le risque de décharge électrique. Cet appareil est équipé d'un cordon avec un conducteur de mise à la terre de l'équipement et une fiche mise à la terre. Il faut brancher cette fiche dans une prise appropriée correctement installée et mise à la terre selon tous les codes et les règlements locaux.

### **⚠ DANGER !**

Une mauvaise connexion de la prise de terre de l'équipement peut causer un risque de décharge électrique. Vérifier avec un électricien qualifié ou un technicien si vous avez des doutes relativement à la mise à la terre de la prise. Ne pas modifier la fiche fournie avec l'appareil. Si vous ne pouvez pas la brancher dans la prise, faire installer une prise adéquate par un électricien qualifié.

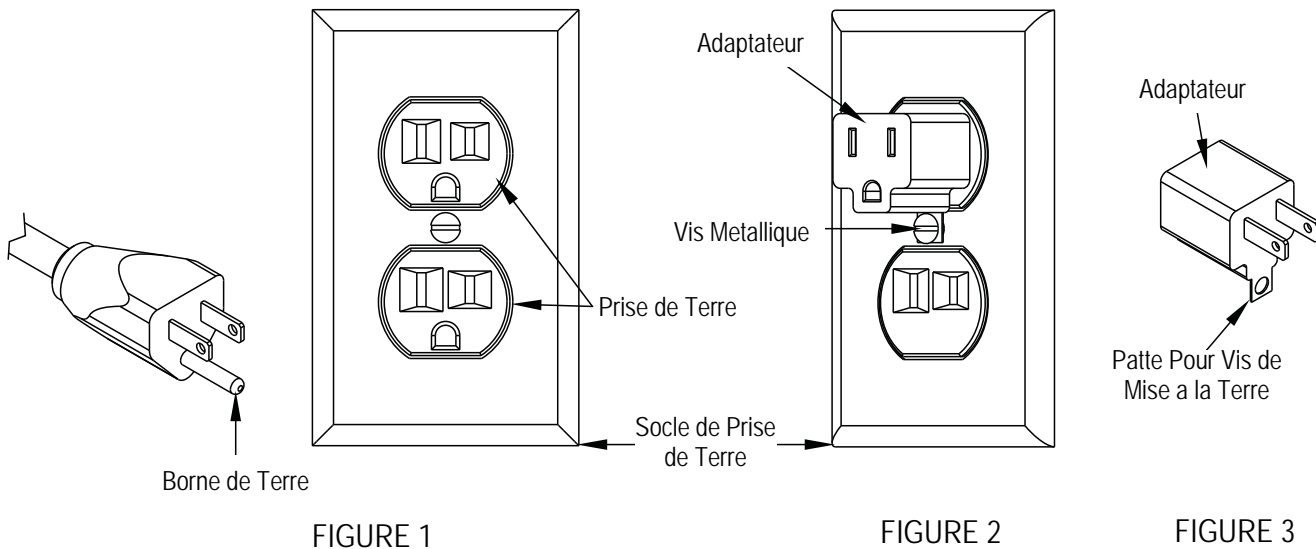
Il faut utiliser cet appareil sur un circuit 120 volts nominal; il dispose d'une prise mise à la terre semblable à celle illustrée dans la Figure 1 ci-dessous. Vous pouvez utiliser un adaptateur temporaire illustré aux Figures 2 et 3 pour connecter cette fiche à une prise à 2 pôles comme le montre la Figure 2 si une prise correctement mise à la terre n'est pas disponible. Il faut utiliser l'adaptateur temporaire uniquement jusqu'au moment où une prise correctement mise à la terre (Figure 1) est installée par un électricien qualifié. Il faut connecter la patte rigide de couleur verte, la languette, ou autre sortant de l'adaptateur à une prise de terre permanente comme un couvercle de prise correctement mis à la terre. Chaque fois que l'adaptateur est utilisé, une vis métallique doit le tenir en place. Les adaptateurs de mise à la terre ne sont pas autorisés au Canada.

Remplacer la fiche si la broche de mise à la terre est endommagée ou brisée.

Le fil de mise à la terre du cordon est le fil vert (ou vert/jaune). Lors du remplacement de la fiche, ce fil ne doit être connecté qu'à la broche de mise à la terre.

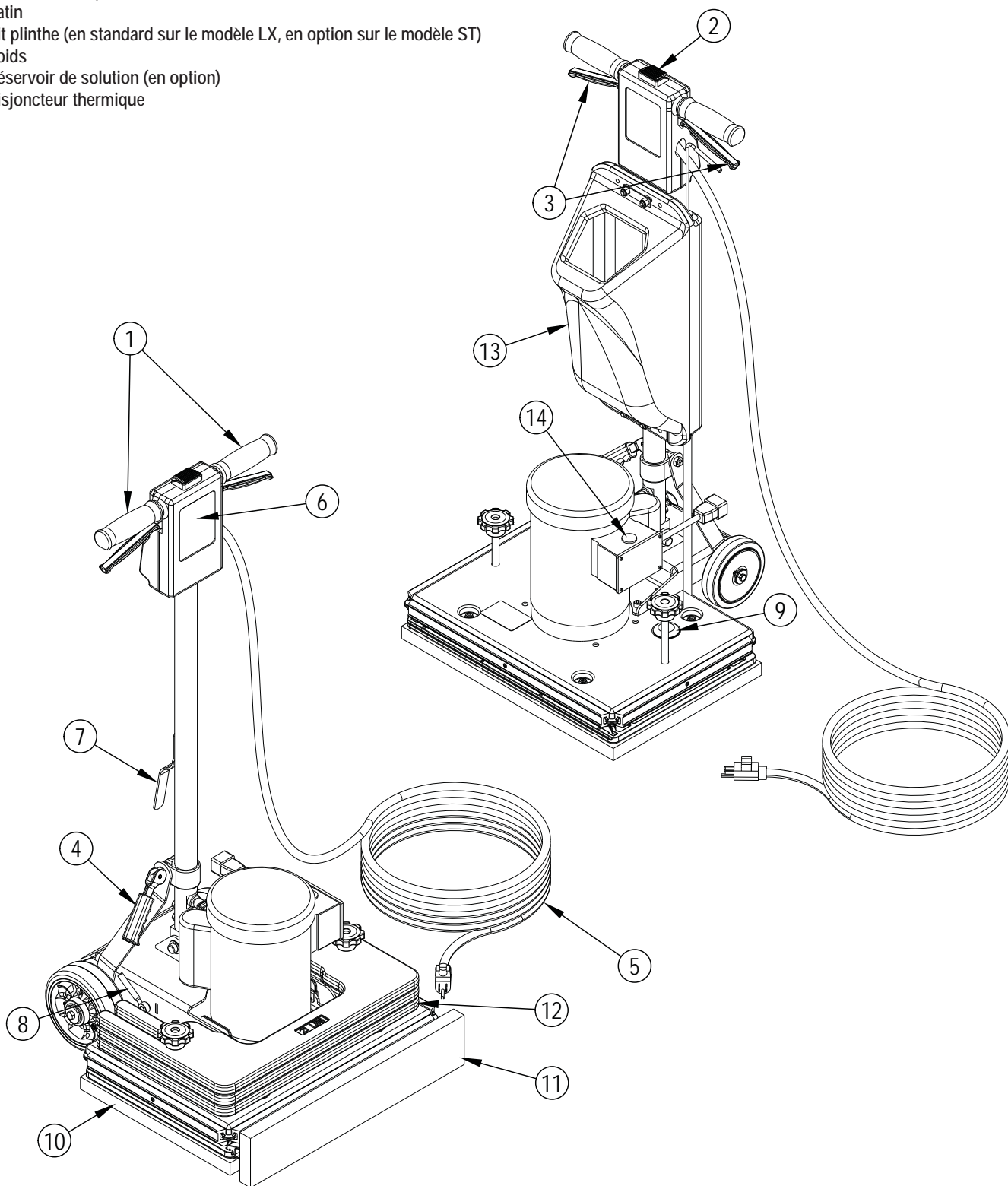
En cas d'utilisation de rallonges, celles-ci doivent être au minimum de section 12 et comporter trois fils raccordés à des fiches et des prises à trois broches. NE PAS utiliser de cordons prolongateurs de plus de 15 m (50 pi) de longueur.

**VEUILLEZ NOTER : UNIQUEMENT EN AMÉRIQUE DU NORD**



## CONNAÎTRE SA MACHINE

- 1 Poignées de l'opérateur
- 2 Bouton de verrouillage de sécurité du levier de commande
- 3 Leviers de commutation - Serrer - MARCHE / Relâcher - ARRÊT
- 4 Levier de blocage par compression du manche
- 5 Cordon d'alimentation
- 6 Manche de l'opérateur
- 7 Crochet du cordon
- 8 Levier de blocage des roues en position relevée (sur les modèles LX uniquement)
- 9 Branchement optionnel du réservoir de solution
- 10 Patin
- 11 Kit plinthe (en standard sur le modèle LX, en option sur le modèle ST)
- 12 Poids
- 13 Réservoir de solution (en option)
- 14 Disjoncteur thermique



## TRANSPORT DE LA MACHINE

Pour transporter la machine, procédez de la manière suivante :

- 1 Débranchez la machine de la prise murale et enroulez le cordon électrique (5) autour du crochet du cordon (7) et les poignées de l'opérateur (1).
- 2 Relevez et bloquez le manche en position verticale. Pour bloquer le manche, appuyez sur le levier de blocage par compression du manche (4).
- 3 Retirez les trois poids (12) et placez la machine dans la zone de cargaison.

### FM40 ST

- 4 Saisissez la machine en attrapant le tube de la poignée et la base, et placez-la dans la zone de cargaison.

## ⚠ AVERTISSEMENT !

La machine est lourde (44,2 kg). Pour éviter toute blessure corporelle ou dégât matériel, assurez-vous d'avoir une prise solide et d'utiliser une bonne technique de levage. Procédez à deux ; une personne de chaque côté de la machine comme illustré à la Figure 1.

- 5 Attachez la machine pour éviter qu'elle ne bouge dans la zone de cargaison.

### FM40 LX

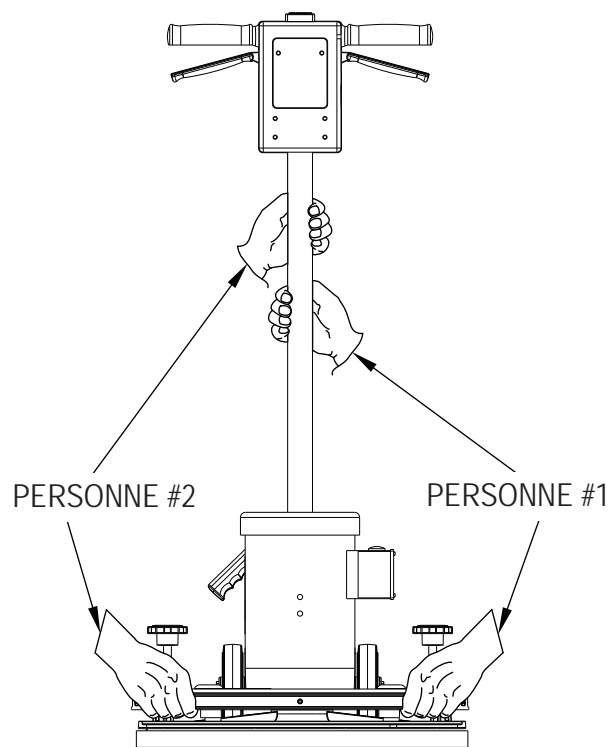
- 4 Séparez la poignée de la base de la machine en procédant comme illustré Figure 2.
  - A. Débranchez le moteur de la poignée.
  - B. Après avoir mis le levier de verrouillage des roues (8) en position relevée (les roues sont en position basse), amenez le bouton (A) vers l'arrière et relevez le loquet (B) comme illustré. REMARQUE : Il y a deux loquets, un de chaque côté du moteur.
  - C. Basculez la poignée (C) légèrement vers l'arrière et dégagez l'ensemble de la base de la machine (D).
- 5 Prenez la base de la machine et placez-la dans la zone de cargaison.

## ⚠ AVERTISSEMENT !

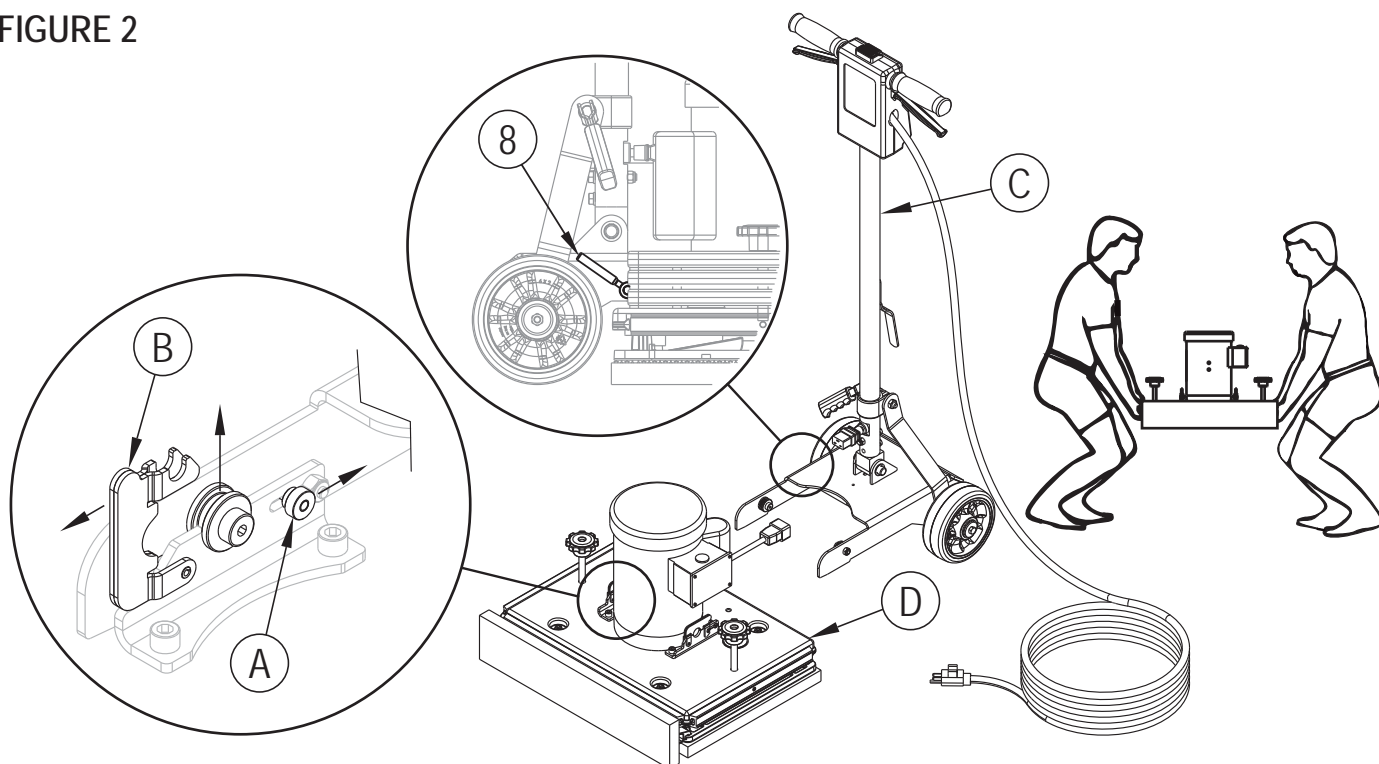
La base de la machine est lourde (35,4 kg). Pour éviter toute blessure corporelle ou dégât matériel, assurez-vous d'avoir une prise solide et d'utiliser une bonne technique de levage. Procédez à deux, une personne de chaque côté de la partie à soulever comme illustré à la Figure 2.

- 6 Soulevez doucement la poignée et placez-la dans la zone de cargaison.
- 7 Attachez la machine pour éviter qu'elle ne bouge dans la zone de cargaison.

### FIGURE 1



### FIGURE 2



## PRÉPARATION DE LA MACHINE

Pour préparer la machine, procédez de la manière suivante :

- 1 Familiarisez-vous avec la machine. Avant toute utilisation de la machine, lisez tous les avertissements, instructions sur les dangers et consignes de prudence, ainsi que le manuel d'utilisation et des pièces.
- 2 Installez ou remplacez le patin (10). Il doit être remplacé s'il est usé jusqu'à une épaisseur égale ou inférieure à 9,5 mm. Pour installer ou remplacer le patin, procédez comme suit :
  - a.) Verrouillez le manche de l'opérateur (6) en position verticale.
  - b.) Inclinez la machine vers l'arrière jusqu'à ce qu'elle repose complètement sur le manche (6).
  - c.) En vous tenant au-dessus de la machine, retirez le vieux patin et centrez le patin neuf sur la surface auto-agrippante.
  - d.) Appuyez le patin (10) contre la face agrippante jusqu'à ce que les crochets aient accroché le patin. Voir Figure 3.
  - e.) Redressez la machine en position verticale.

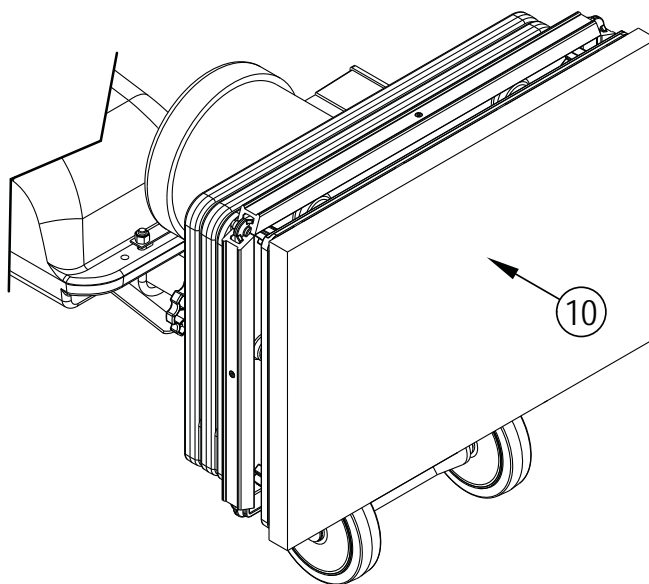
### ATTENTION !

La surface agrippante sera endommagée si la machine est utilisée sans patin ou avec un patin d'une épaisseur égale ou inférieure à 9,5 mm.

### AVERTISSEMENT !

Ne vous placez jamais, et ne laissez jamais d'autres personnes se placer, dans une position qui pourrait entraîner des blessures si la machine venait à basculer ou à tomber pendant le remplacement du patin ou du papier abrasif. Des blessures peuvent survenir si la machine est branchée à une source d'alimentation pendant l'installation du patin ou du papier abrasif. Débranchez la machine avant d'installer le patin ou le papier abrasif.

FIGURE 3



## INSTRUCTIONS D'UTILISATION – PRÉPARATION DE LA REPRISE DE LA COUCHE DE FINITION

Pour utiliser la machine avec un abrasif, procédez comme suit :

- 1 Déplacez la machine jusqu'à la zone de travail. Choisissez la meilleure approche pour poncer la zone désirée. Lorsque vous utilisez la machine, veillez à toujours travailler en vous éloignant de la prise électrique. Vous diminuerez ainsi les risques d'emmêler le cordon électrique et vous n'aurez pas à déplacer aussi souvent le cordon.
- 2 Installez le papier abrasif. Utilisez la même procédure d'installation du patin que celle décrite dans la section PRÉPARATION DE LA MACHINE. Pour installer le papier abrasif, décollez la pellicule à l'arrière du papier abrasif; centrez le papier sur le patin et comprimez-le sur le patin. L'adhésif se trouvant sur le papier suffit pour le retenir sur le patin.

**REMARQUE :** Lorsque vous utilisez un tampon abrasif ou un abrasif métallique, posez la partie grillagée sur le sol, puis placez la machine sur celle-ci. Abaissez la machine jusqu'à ce que le patin repose sur le grillage. Assurez-vous que le grillage est centré sur le patin.

### ⚠ AVERTISSEMENT !

Des blessures peuvent survenir si la machine est branchée à une source d'alimentation pendant l'installation du patin ou du papier abrasif.

Débranchez la machine avant d'installer le patin ou le papier abrasif.

- 3 Branchez la machine à un circuit électrique correctement mis à la terre et protégé par un fusible.
- 4 La machine peut être utilisée avec la poignée en position verticale ou abaissée. Débloquez le manche en relevant le levier de blocage par compression du manche (4). Placez la poignée dans la position qui vous convient et bloquez-la dans cette position.
- 5 Voir Figure 4. Poussez le bouton de verrouillage (2) et appliquez une pression sur les leviers de commutation (3). Pour arrêter la machine, relâchez les leviers de commutation (3).

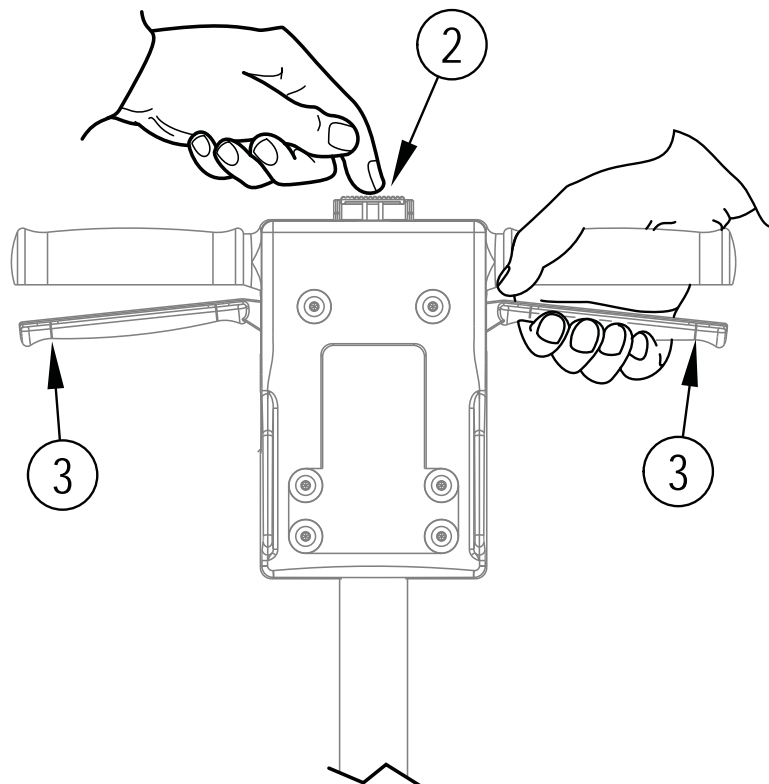
### ⚠ ATTENTION !

Pour éviter d'endommager les parquets et réduire le tourbillonnement, gardez la machine en mouvement lorsque le moteur fonctionne.

### FM40 LX – CHANGEMENT DE POSITION DES ROUES : POSITION RELEVÉE / POSITION BASSE

Cette machine peut être utilisée avec les roues arrière en position relevée de façon à laisser le tampon flottant. Ou avec les roues en position abaissée, en contact avec le sol. En position abaissée, la machine se déplace vers l'avant et vers l'arrière exactement comme une tondeuse à gazon. Elle est donc plus facile à contrôler et exige moins d'efforts. Pour passer d'une position à l'autre, actionnez le levier (8) comme illustré Figure 5 tout en exerçant une pression sur la poignée pour relever les roues.

FIGURE 4



## INSTRUCTIONS D'UTILISATION – NETTOYAGE

Pour nettoyer avec la machine, procédez comme suit :

- 1 Déplacez la machine jusqu'à la zone de travail. Choisissez la meilleure approche pour nettoyer la zone désirée. Lorsque vous nettoyez la zone, travaillez en vous éloignant de la prise électrique. Vous diminuerez ainsi les risques d'emmêler le cordon électrique et vous n'aurez pas à déplacer aussi souvent le cordon.
- 2 Utilisez la procédure d'installation du patin décrite dans la section PRÉPARATION DE LA MACHINE.

### AVERTISSEMENT !

Des blessures peuvent survenir si la machine est branchée à une source d'alimentation pendant l'installation du patin. Débranchez la machine avant d'installer le patin.

- 3 Branchez la machine à un circuit électrique correctement mis à la terre et protégé par un fusible.
- 4 Débloquez le manche en relevant le levier de blocage par compression du manche (4). Placez la poignée dans la position qui vous convient et bloquez-la dans cette position.
- 5 **Voir Figure 4.** Poussez le bouton de verrouillage (2) et appliquez une pression sur les leviers de commutation (3). Pour arrêter la machine, relâchez les leviers de commutation (3).

### ATTENTION !

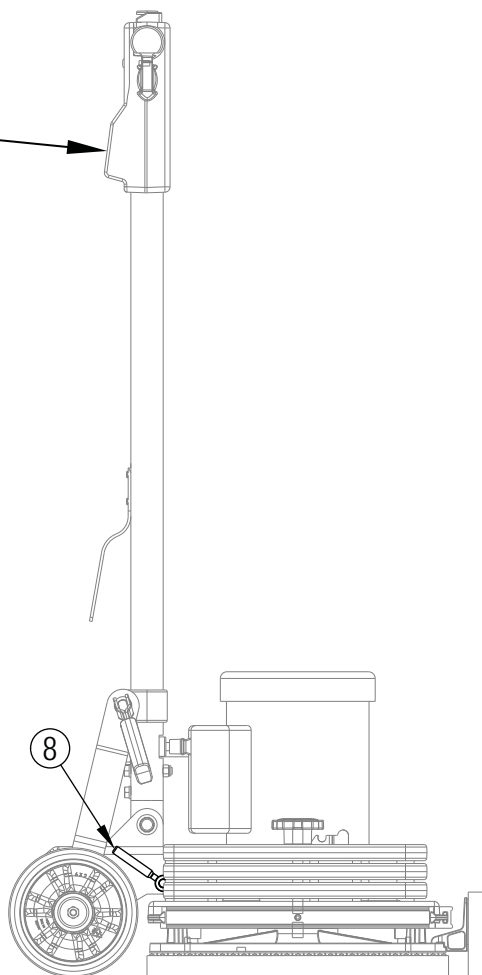
Pour éviter d'endommager les parquets et réduire le tourbillonnement, gardez la machine en mouvement lorsque le moteur fonctionne.

### FM40 LX – CHANGEMENT DE POSITION DES ROUES : POSITION RELEVÉE / POSITION BASSE

Cette machine peut être utilisée avec les roues arrière en position relevée de façon à laisser le tampon flottant. Ou avec les roues en position abaissée, en contact avec le sol. En position abaissée, la machine se déplace vers l'avant et vers l'arrière exactement comme une tondeuse à gazon. Elle est donc plus facile à contrôler et exige moins d'efforts. Pour passer d'une position à l'autre, actionnez le levier (8) comme illustré Figure 5 tout en exerçant une pression sur la poignée pour relever les roues.

FIGURE 5



Exercez une pression vers l'avant  
Lorsque vous actionnez le commutateur (8)



## DÉPANNAGE

Problème	Cause	Action
Le moteur ne démarre pas.	Aucune alimentation électrique.	Vérifier l'alimentation électrique et les connexions
	Le bouton de verrouillage de sécurité (2) n'est pas enfoncé	Enfoncer le bouton de verrouillage (2) avant d'activer les leviers de commutation (3).
	Interrupteur défectueux / mauvaise connexion	Contacteur un revendeur agréé Clarke.
Le moteur ne démarre pas ou marche trop lentement.	Basse tension à cause d'une rallonge trop longue ou trop fine.	Utiliser une rallonge de taille 12 avec une longueur maximale de 15 m.
	Condensateur de démarrage défectueux.	Contacteur un revendeur agréé Clarke.
	Interrupteur de démarrage défectueux.	Contacteur un revendeur agréé Clarke.
	Condensateur de démarrage / de fonctionnement défectueux.	Contacteur un revendeur agréé Clarke.
	Basse tension dans le moteur	Contacteur un revendeur agréé Clarke.
Le fusible / disjoncteur se déclenche très souvent.	Tension basse.	Éliminer la rallonge électrique. Trouver une prise électrique plus proche du site de travail. Faire vérifier la tension par un électricien compétent.
	Mauvaise connexion.	Contacteur un revendeur agréé Clarke.
	Moteur défectueux.	Contacteur un revendeur agréé Clarke.

## SPÉCIFICATIONS TECHNIQUES (TEL QU'INSTALLÉ ET TESTÉ EN USINE)

Modèle	FM40 ST	FM40 LX
Référence	56105618	56105620
Électricité	1,5 HP – 115 V/60 Hz	1,5 HP – 115 V/60 Hz
Vitesse de tampon/brosse	3540 tr/min	3540 tr/min
Dimension des tampons/brosses	355 mm x 508 mm (14» x 20»)	355 mm x 508 mm (14» x 20»)
Poids total (avec cordon)	160,5 lbs. (72,8 kg)	171 lbs. (77,5 kg)
Niveau de pression acoustique (ISO 11201)	69dBA	69dBA
Niveau de protection	IPX0	IPX0
Classe de protection		

## Composition des matériaux et recyclabilité

Type	% du poids de la machine	% Recyclable
Aluminium	1%	100%
Système électrique / moteurs électriques / moteurs – divers	38%	70%
Métaux ferreux	52%	100%
Harnais / câbles	6%	67%
Liquides	0%	0%
Plastique - non-recyclable	2%	0%
Plastique - recyclable	1%	100%
Polyéthylène	0%	0%
Caoutchouc	1%	100%



















**Clarke<sup>®</sup>**

14600 21st Avenue North  
Plymouth, MN 55447-3408

[www.clarkeus.com](http://www.clarkeus.com)

Phone: 800-253-0367

Fax: 800-825-2753

©2015 Nilfisk-Advance, Inc.

---

**A Nilfisk-Advance Brand**