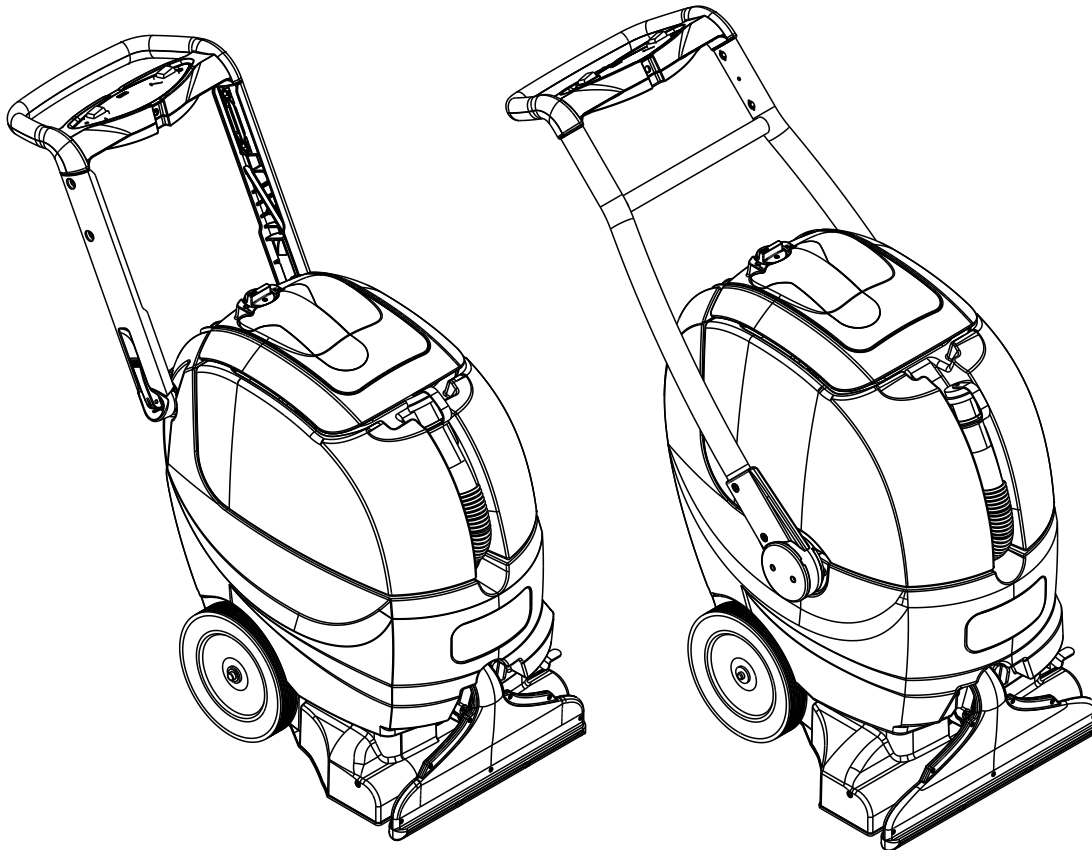

Clarke[®]

EX40 16ST, EX40 18LX



Parts List

Models: 56265504 (EX40 16ST), 56265505 (EX40 18LX)

TABLE OF CONTENTS

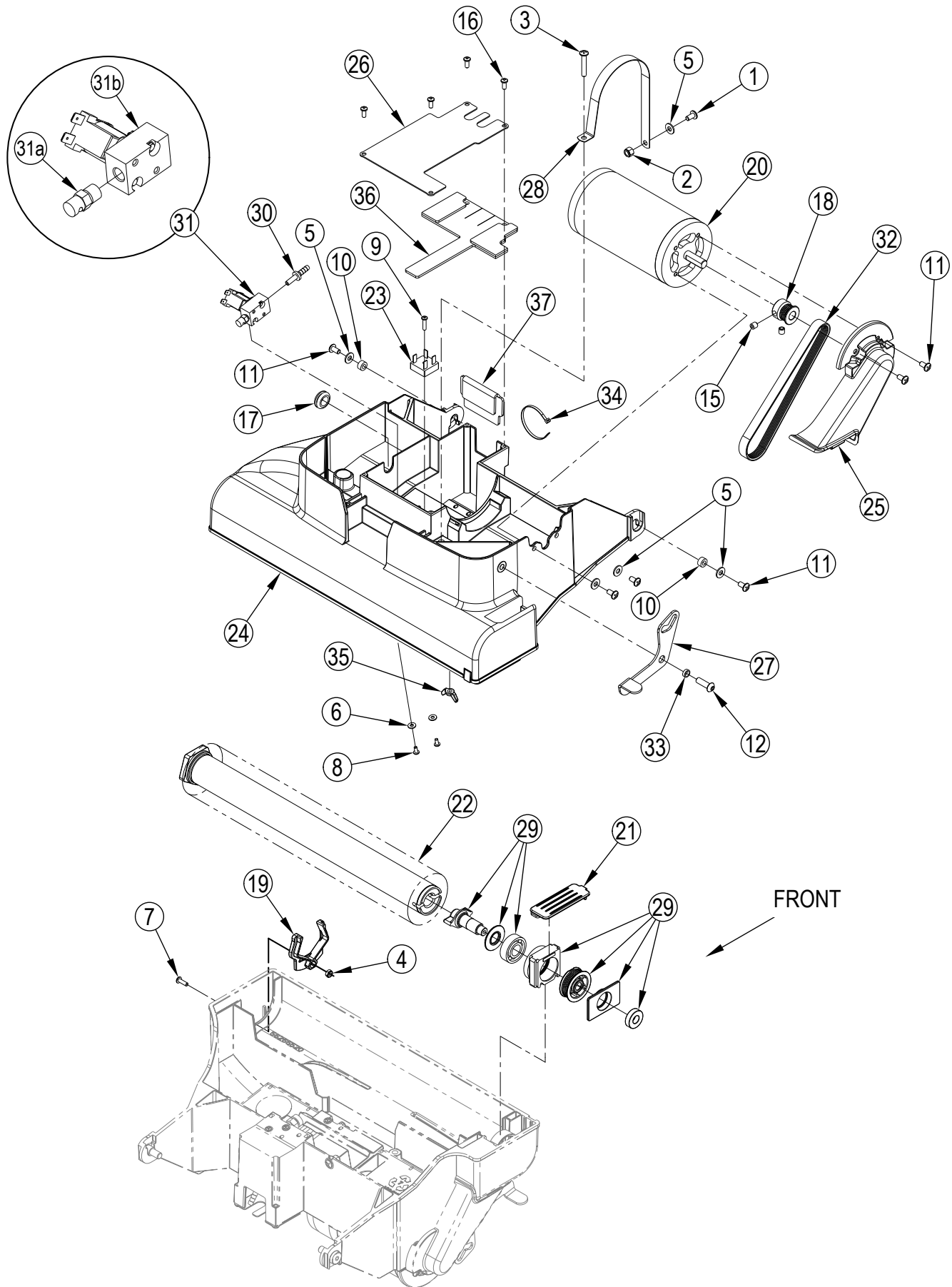
DESCRIPTION	PAGE
Base System	2-3
Decal System	4-5
Handle System 16ST	6-7
Handle System 18LX	8-9
Recovery System	10-11
Solution System 16ST-1	12-13
Solution System 16ST-2	14-15
Solution System 18LX-1	16-17
Solution System 18LX-2	18-19
Ladder Diagram	20-21
Options & Accessories	22
Brush Selector Guide	23

WHEN ORDERING PARTS

- * Use the part numbers from the "Ref. No." columns in this parts list.
- * Specify the model number and serial number of the machine.
- * Use the space below to record the model number and serial number for future reference.

Model No. _____ Serial No. _____

BASE SYSTEM

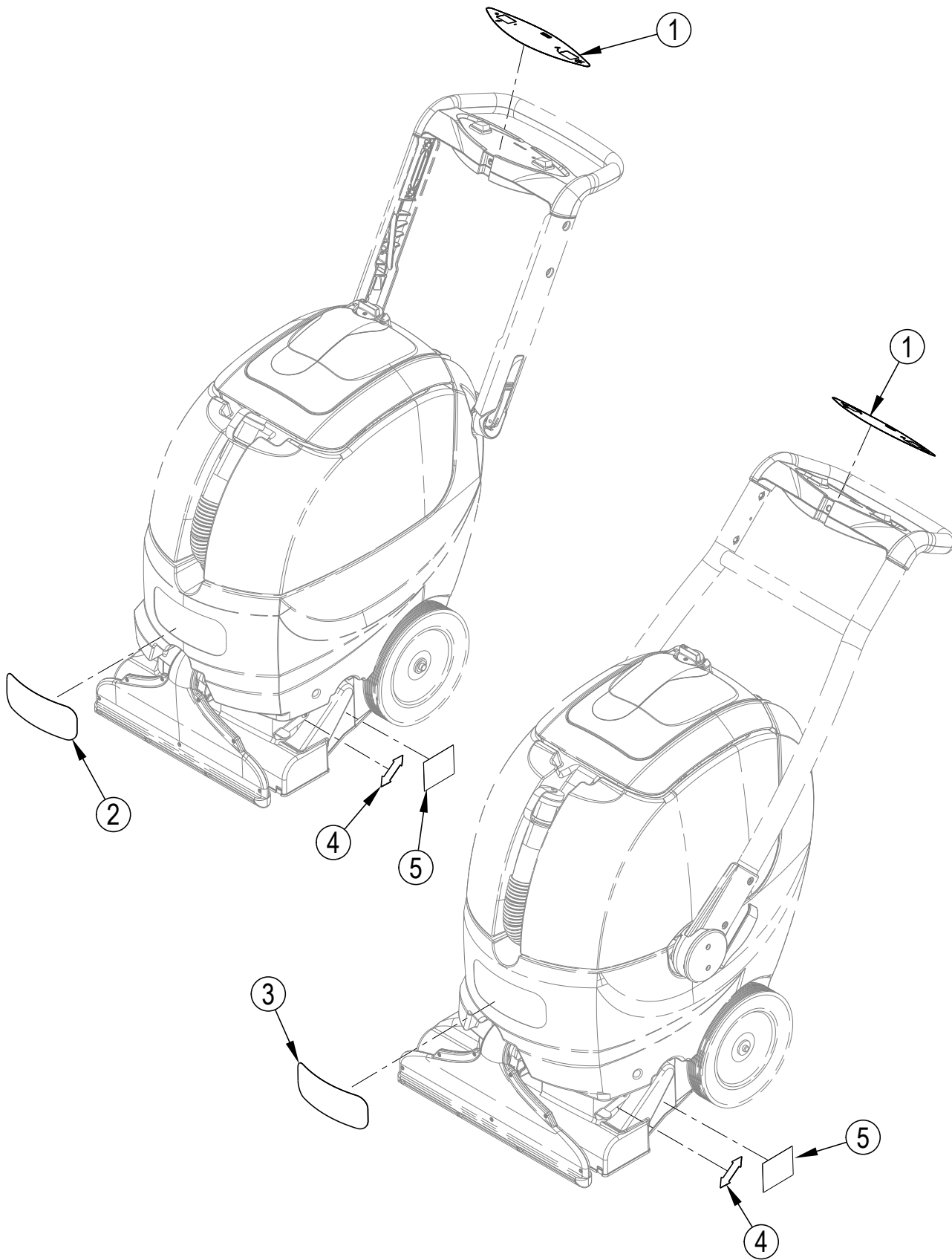


BASE SYSTEM

Item	Ref. No.	Qty	Description
1	56002145	1	Scr-Pan Phil 1/4-20 X .50
2	56002491	1	Nut-Hex Nyl Loc Ss 1/4-20
3	56002905	1	Scr-Pan Phil Ss 1/4-20 X 1.50
4	56002849	1	Nut, Hex Nyl Loc-Thin Ss 10-24
5	56002859	5	Wsh-Flt Sae Ss 1/4
6	56002875	2	Wsh-Flt Sae Ss #8
7	56002896	1	Scr-Pan Phil Ss 10-24 X .62
8	56003018	2	Scr-Pan Phil Ss 8-32 X .38
9	56003545	1	Scr, Pan Phil Plastite 8-10 X .75
10	56265782	2	Bushing-.26x.50x .25 Long
11	56003897	6	Scr-Pan Phil Loc Ss 1/4-20 X .50
12	56003963	1	Scr-Botton Soc Ss 5/16-18x1.00
13	56003985	1	Rivet-Nut 5/16-18 Steel Zinc P
14	56009037	1	Wsh, Int Shprf 7/16
15	56009131	2	Scr, Soc Set Loc 5/16-18 X .31
16	56003093	4	Scr Pan Phil Plast 8-15 X .50
17	56157376	1	Grommet
18	56262558	1	Sheave.Poly-V
19	56265043	1	Clip, Brush Retainer
20	56265075	1	Motor, 115 Vdc, 1/3 Hp M3
21	56265091	1	Cover, Pulley
22	56265044	1	Brush Assembly 16
	56265046	1	Brush, 16
#	56262649	1	Plug, Bearing (Brush Assembly 16, Brush Assembly 18)
#	56262646	1	Washer, Bearing (Brush Assembly 16, Brush Assembly 18)
	56265099	1	Brush Assembly 18
	56265065	1	Brush, 18
23	56265103	1	Rectifier, 35 Amp D1
24	56265818	1	Base 16 Assembly (16ST)
	56265819	1	Base 18 Assembly (18LX)
25	56265629	1	Cover-Belt
26	56265657	1	Cover-Electrical
27	56265794	1	Lever-Brush Storage
28	56265676	1	Strap-Motor
29	56265690	1	Bearing-Spindle Kit
		1	Bearing, Ball
		1	Washer,Bearing
		1	Bearing,Block
		1	Spindle,Drive
		1	Bearing Block-Drive
		1	Sheave-Poly-V-6j17
		1	Ring Ball .6693 Cv25d 1
30	56265692	1	Adapter-.25 Stem-.25 Barb
31	56265746	1	Valve/Nozzle Assy-120v-Restore L1
31a	56265052	1	Nozzle Spray
31b	56265561	1	Valve-Solenoid-230v
32	56315321	1	Belt, Auto Tension
33	56381818	1	Bushing .32x.44x.15
34	56478246	1	Tie, Cable
35	56009111	1	Nut, Wing Ss 1/4-20
36	56265790	1	Gasket-Base-Elec Compartment
37	56265788	1	Gasket-Base-Rear

= Revised or new since last update

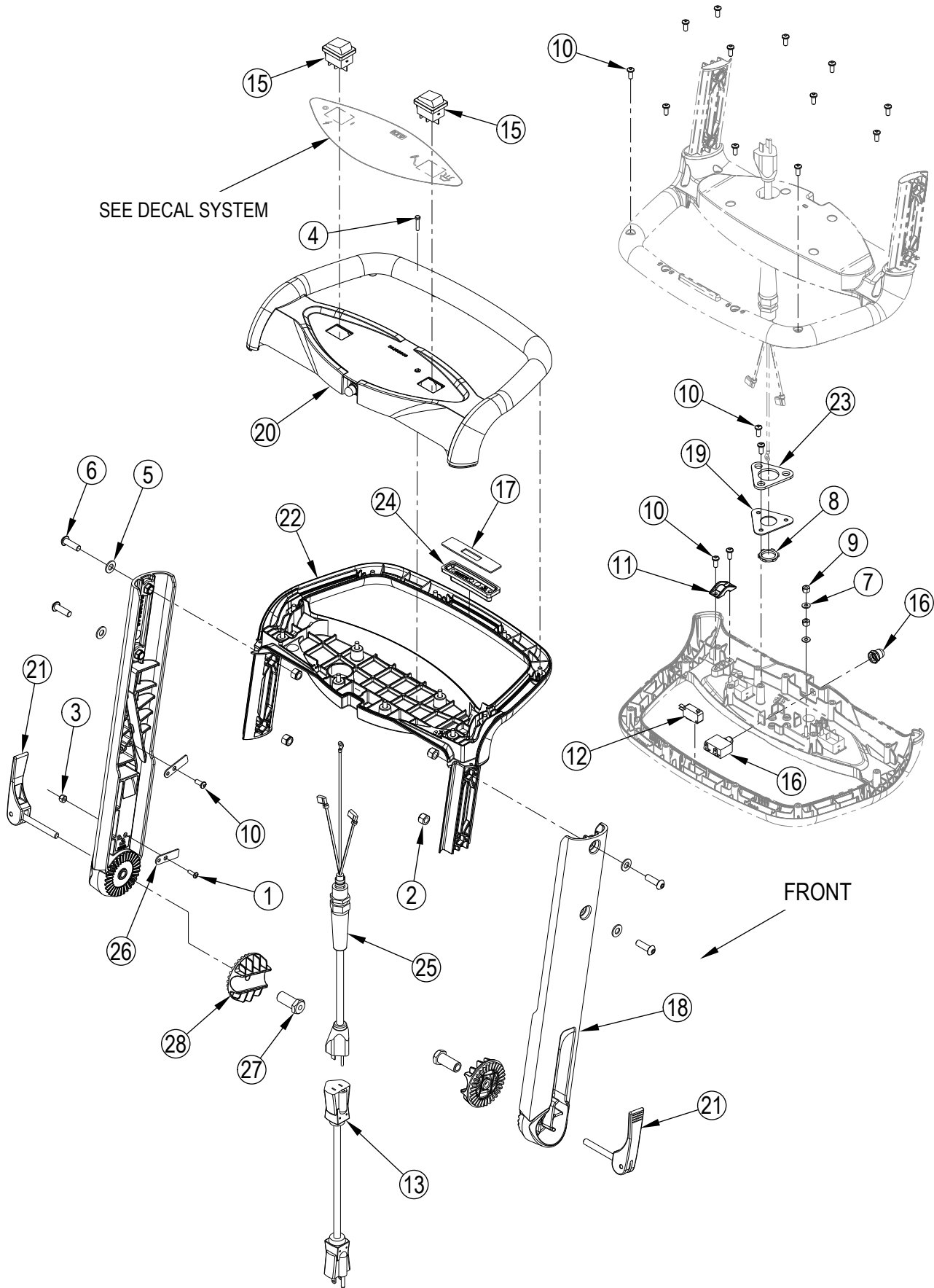
DECAL SYSTEM



DECAL SYSTEM

Item	Ref. No.	Qty	Description
1	56265727	1	Decal-Panel-ST (16ST, 18LX)
2	56265730	1	Decal-Clarke EX40 16ST (16ST)
3	56265731	1	Decal-Clarke EX40 18LX (18LX)
4	56265750	1	Decal-Storage Lock (16ST, 18LX)
5	56265792	1	Decal-Cri Gold

HANDLE SYSTEM 16ST

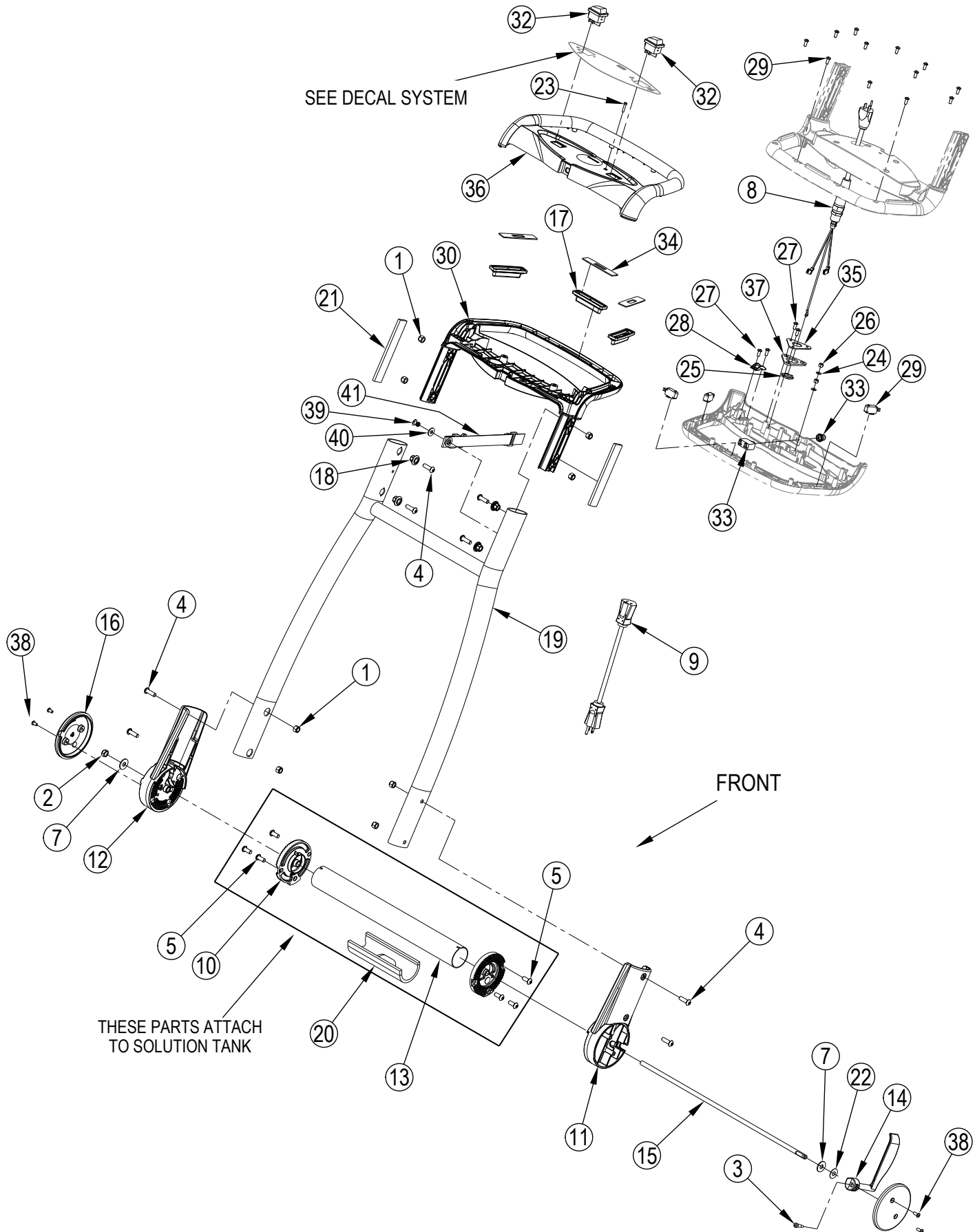


HANDLE SYSTEM 16ST

Item	Ref. No.	Qty	Description
1	56002146	1	Scr-Pan Phil 8-32 X .62
2	56002701	4	Nut, Hex Nyl Loc 5/16-18
3	56002808	1	Nut, Hex Nyl Loc 8-32
4	56002874	1	Scr- Hex Ss 8-32 X .75
5	56002938	4	Wsh-Flt Sae Ss 5/16
6	56003963	4	Scr-Botton Soc Ss 5/16-18 x 1.00
7	56009010	2	Wsh, Int Shprt #8
8	56009095	1	Nut, Conduit Lock 1/2-14
9	56009148	2	Nut-Hex Machine 8-32
10	56009191	17	Scr, Pan Phil Plastite 10-14 x .50
11	56264119	1	Clamp, Power Cord
12	56265098	1	Switch, Spdt Snapaction S4
13	56265112	1	Cord Set-14/3 x 50' Yel
[14]	56265547	1	Harness-Main
15	56265549	2	Switch-Rocker-Dpst S1
16	56265550	1	Circuit Breaker-W/Boot-5A CB1
17	56265564	1	Plate-Switch Retainer
18	56265648	2	Handle Tube-Ratchet
19	56265659	1	Plate-Cord Mounting
20	56265666	1	Handle-Top Cover-St
21	56265682	2	Lever-Locking Assembly
22	56265693	1	Handle-Bottom Cover-St
23	56265698	1	Gasket-Cord Mount
24	56265715	1	Button-Handle
25	56265718	1	Cord-Pigtail
26	56265748	2	Retainer-Harness
27	56265752	2	Bushing-Cam Adjustment
28	56265815	2	Ratchet Handle Adjuster

[] = Not Shown

HANDLE SYSTEM 18LX

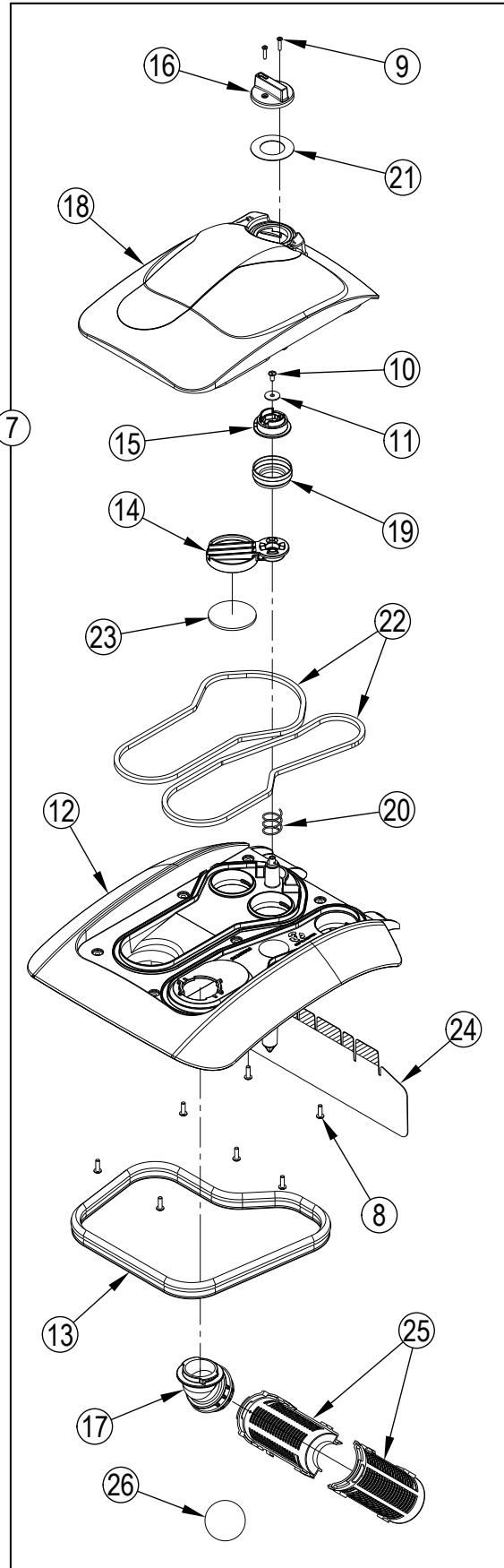
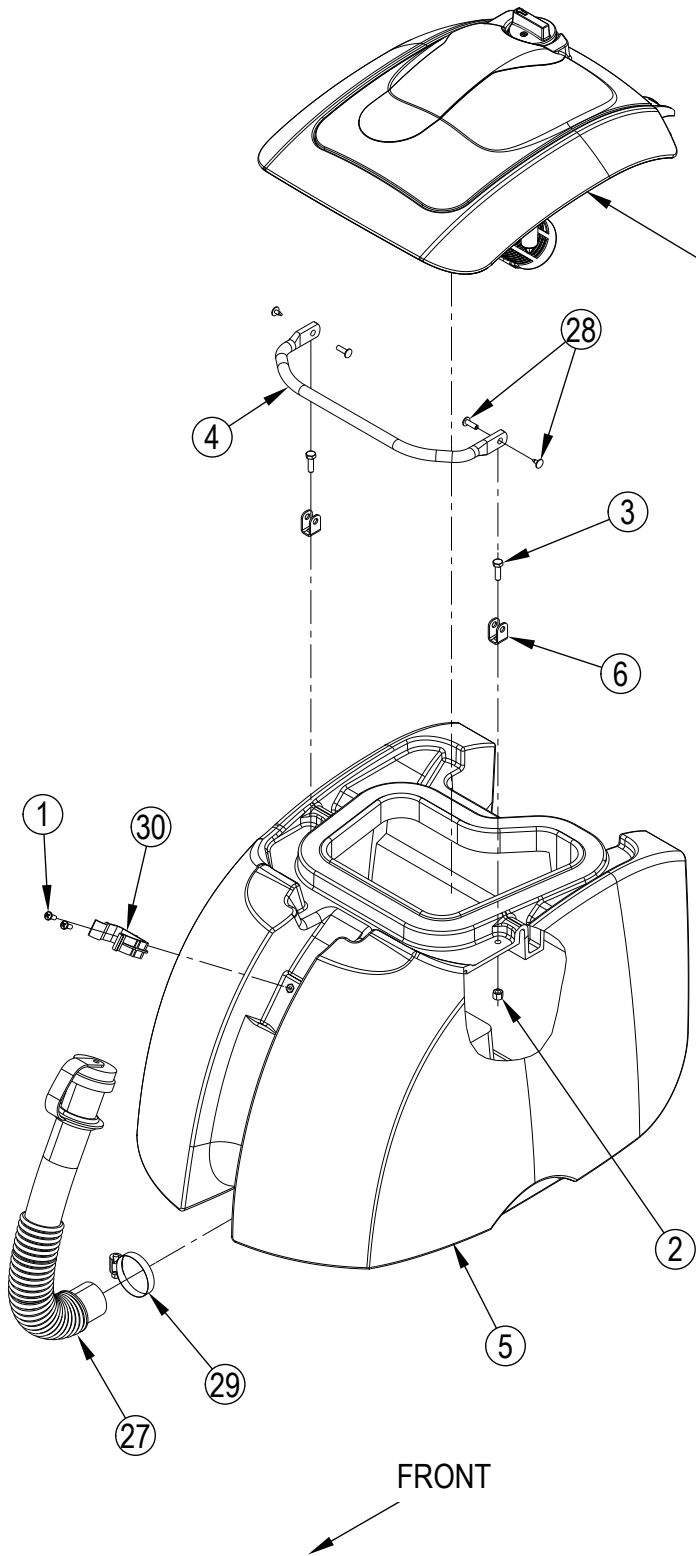


HANDLE SYSTEM 18LX

Item	Ref. No.	Qty	Description
1	56002701	8	Nut, Hex Nyl Loc 5/16-18
2	56002852	1	Nut, Hex Nyl Loc-Thin Ss 3/8-16
3	56003624	1	Scr-Soc Shd .25 X .50 X 10-24
4	56003963	8	Scr-Botton Soc Ss 5/16-18x1.00
5	56003994	6	Scr-Button Soc Ss 5/16-18x.75
6			Intentionally Omitted
7	56385358	2	Washer
8	56265718	1	Cord-Pigtail
9	56265112	1	Cord Set-14/3x50' Yel
10	56265525	2	Mount-Ratchet
11	56265526	1	Handle-Socket-W/Hole
12	56265527	1	Handle-Socket-W/O Hole
13	56265528	1	Sleeve-Steel-2.0 Dia
14	56265797	1	Lever-Cam
15	56265530	1	Shaft-Cam Lock
16	56265533	2	Cap-Ratchet
17	56265715	3	Button-Handle
18	56265658	4	Bushing-Handle
19	56265688	1	Handle Weldment
20	56265744	1	Gasket-Handle Tube
21	56265768	2	Gasket-Handle-.25 X 1.0 X 6.0
22	56632681	1	Washer, 3/8 Pl. Nylon
23	56002874	1	Scr- Hex Ss 8-32 X .75
24	56009010	2	Wsh, Int Shprt #8
25	56009095	1	Nut, Conduit Lock 1/2-14
26	56009148	2	Nut-Hex Machine 8-32
27	56009191	16	Scr. Pan Phil Plastite 10-14 X .50
28	56264119	1	Clamp, Power Cord
29	56265098	3	Switch, Spdt Snapaction S4 / S5 / S6
30	56265543	1	Handle-Bottom Cover
[31]	56265547	1	Harness-Main
32	56265549	2	Switch-Rocker-Dpst S1
33	56265550	1	Circuit Breaker-W/Boot-5a CB1
34	56265564	3	Plate-Switch Retainer
35	56265659	1	Plate-Cord Mounting
36	56265666	1	Handle-Top Cover-St
37	56265698	1	Gasket-Cord Mount
38	56009247	4	Scr Pn Phil Plastite 10-14x.38
39	83002A	1	Rivet-1/4 Dia X .490 Pop
40	56002914	1	Wsh, Flt Std Ss 1/4
41	56265639	1	Strap/Buckle Assembly

[] = Not Shown

RECOVERY SYSTEM

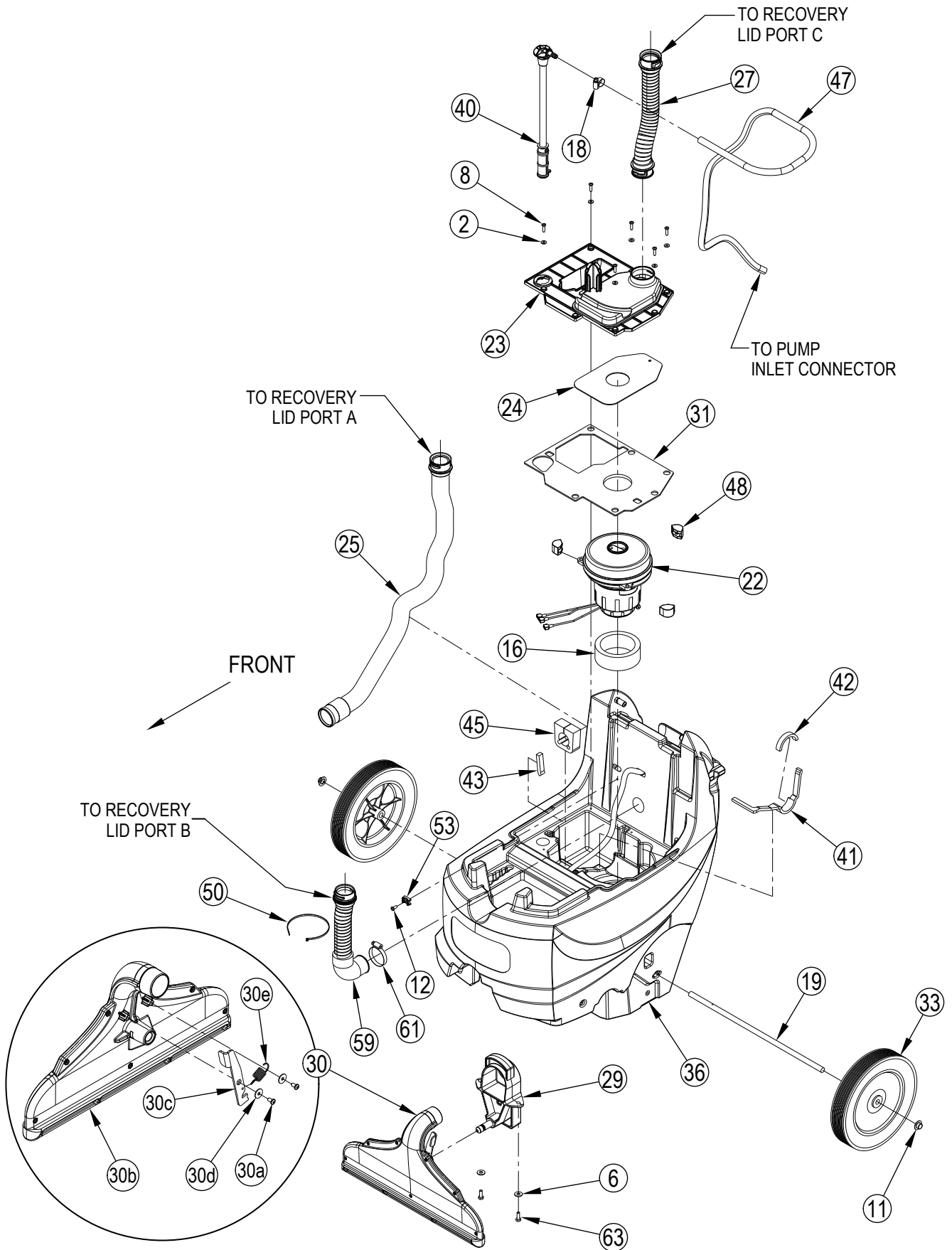


RECOVERY SYSTEM

Item	Ref. No.	Qty	Description
1	56002900	2	Scr-Pan Phil Ss 10-24 X .50
2	56003426	2	Nut, Hex Nyl Loc Ss M6-1
3	56003454	2	Scr-Hex Thd To Hd Ss M6-1 X 20mm
4	56265793	1	Handle-Tank
5	56265702	1	Recovery Tank-16-Blue (16ST)
	56265699	1	Recovery Tank-18-Blue (18LX)
6	56265630	2	Bracket-Handle Retainer
7		1	Recovery Lid Assembly
8	56002896	7	Scr-Pan Phil Ss 10-24 X .62
9	56003197	2	Scr, Pan Phil Plastite 6-18 X .62
10	56003913	1	Scr-Pan Phil Loc Ss 10-24 X .38
11	56009349	1	Wsh-Flt Ss .204 X .750 X .050
12	56265589	1	Lid-Recovery Tank
13	56265604	1	Gasket-Recovery Tank
14	56265799	1	Paddle-Valve
15	56265798	1	Actuator-Valve
16	56265795	1	Knob-Valve
17	56265654	1	Adapter-Ball Float
18	56265655	1	Cover-Recovery Lid
19	56265681	1	Seal-Diverter Valve
20	56265709	1	Spring-Compression-Ss
21#	56265710	1	Seal-Selector Knob TSB-FC-2017-034
22	56265737	2	Gasket-Lid-Poron-.25x.25
23	56265738	1	Gasket-Paddle-Poron-.125x2.38
24	56265783	1	Barrier-Flexible-Lid
25	56324497	2	Cage, Float
26	56391690	1	Ball- Float
27	56265685	1	Hose Drain 1.5 Inch
28	56265747	2	Binding Post-Quick Install
29	56329145	1	Clamp- Hose Sae #24
30	56331154	1	Clamp, Plastic

= Revised or new since last update

SOLUTION SYSTEM 16ST-1

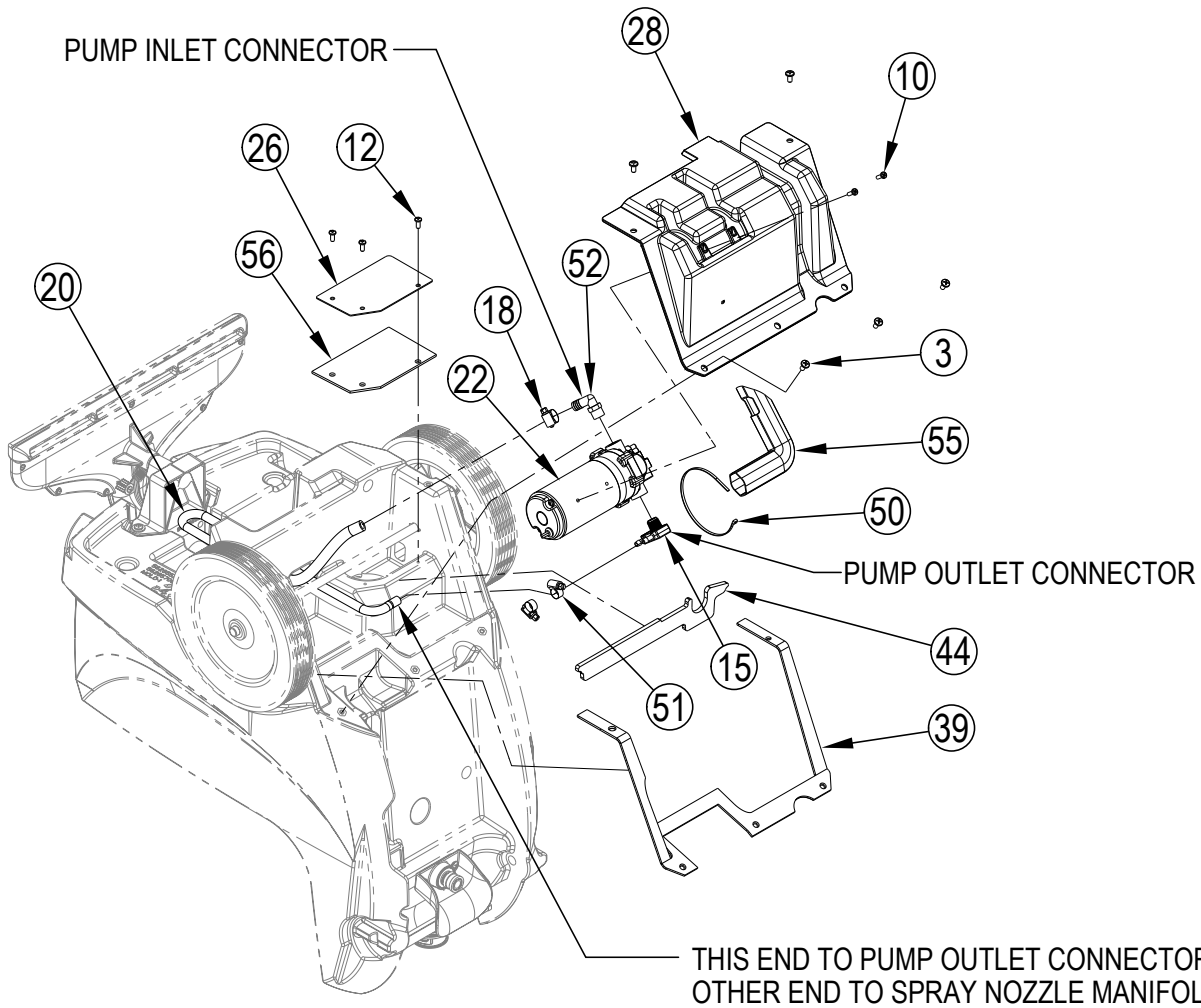
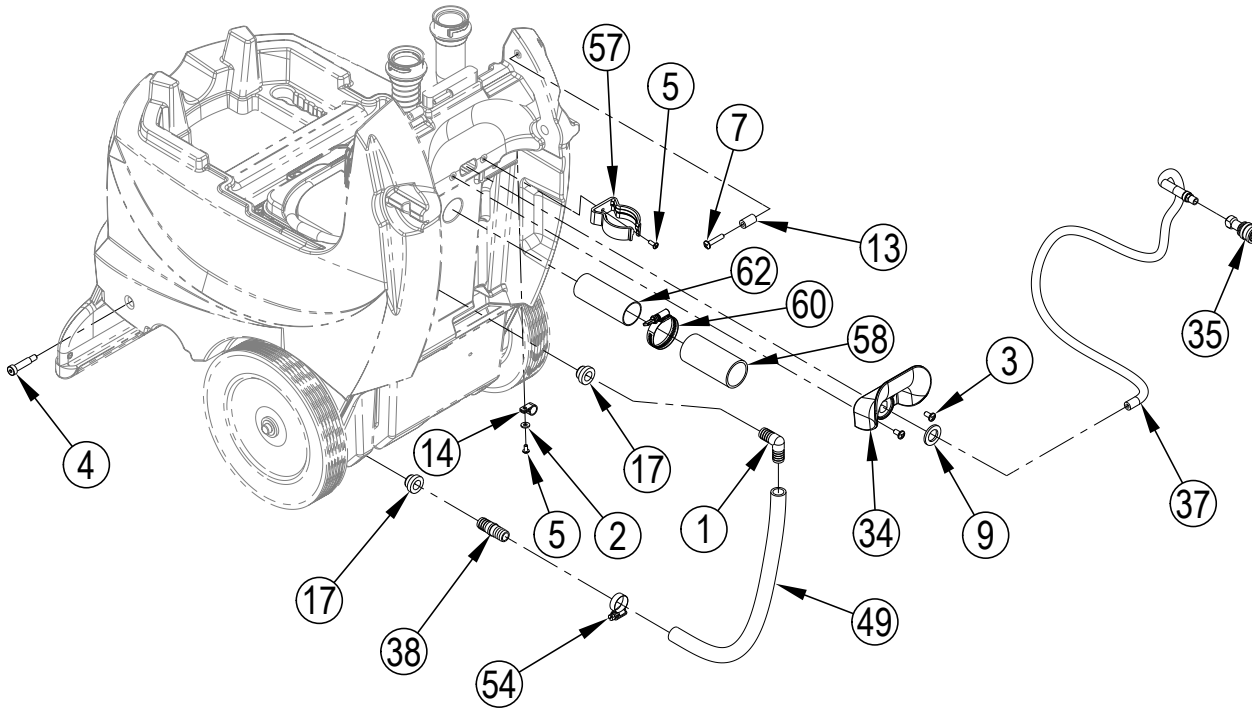


SOLUTION SYSTEM 16ST-1

Item	Ref. No.	Qty	Description	Item	Ref. No.	Qty	Description
1	832803	1	Elbow-5/8 Hose	31	56265665	1	Gasket-Vac Motor Cover
2	56001954	8	Wsh, Flt Sae #10	32			Intentionally Omitted
3	56003897	7	Scr-Pan Phil Loc Ss 1/4-20 X .50	33	56265697	2	Wheel-10.00x1.75x.50
4	56002624	1	Scr-Soc Shd .38 X 1.25 X 5/16-18	34	56265704	1	Hook-Hose Storage
5	56003913	2	Scr-Pan Phil Loc Ss 10-24 X .38	35	56265705	1	Socket-Quick Disconnect-1/8 Npt
6	56002914	2	Wsh, Flt Std Ss 1/4	36	56265706	1	Tank-Solution-16-Blue
7	56002958	2	Scr-Pan Phil Ss 1/4-20 X 1.25	37	56265708	1	Hose Assembly-Solution
8	56003091	7	Scr. Pan Phil Plastite 10-14 X .75	38	56265712	1	Coupler-Barb-5/8
9	56009022	1	Wsh, Flt .754 X 1.250 X .120	39	56265722	1	Gasket-Back Panel
10	56009043	2	Scr Pan Phil Thd Form10-24x.75	40	56265725	1	Solution Filter Assembly-16
11	56009097	2	Nut, Push Cap 1/2	41	56265732	1	Gasket-Vac Exhaust Chamber
12	56009191	4	Scr. Pan Phil Plastite 10-14 X .50	42	56265733	1	Gasket-Vac Exhaust Port
13	56052237	2	Spacer, Phenolic	43	56265734	1	Gasket-Vac Chamber-Side
14	56056903	1	Clamp-P	44	56265735	1	Gasket-Backpanel-Bottom
15	56109503	1	Double Barb Assy	45	56265739	1	Gasket-Sound-Vac Hose
16	56116110	1	Seal-Inlet	46			Intentionally Omitted
17	56116721	2	Grommet-.59x.78x.62	47	56265766	1	Hose-Spiral-.500 X 52.00
18	56219932	2	Clamp- Hose Sae #6	48	56315141	3	Mount, Vibration
19	56265057	1	Axle	49	56265745	1	Hose-PVC-.63 x .88 x 20.60
20	56265373	1	Hose .25x21.0 E00160	50	56478523	2	Tie, Cable
21	56265552	1	Motor-Vacuum-120v M2	51	56756364	2	Clamp- Hose Sae #4
	56265683	1	Carbon Brush Kit-Set of 2 (for 56265552)	52	56109566	1	Barb, 90 Elbow 1/2 X 3/8npt
22	56265554	1	Pump-115vac-120psi M1	53	9096595000	1	Flat Tie Holder
23	56265582	1	Cover-Vac Motor	54	56112771	1	Clamp- Hose Sae #10
24	56265583	1	Plate-Vac Motor	55	56265787	1	Boot-Pump
25	56265586	1	Vac Hose Assembly	56	56265789	1	Gasket-Vac-Inlet Cover
26	56265617	1	Cover-Vac Inlet	57			Clamp-Hose NOTE 1
27	56265625	1	Hose Assembly	58	56055989	1	Cuff Hose
28	56265631	1	Cover-Back	59	56265626	1	Vac Hose Assembly-W/Elbow
29	56265646	1	Bracket-Shoe	60	56265791	1	Clamp-Hose Keyed Worm Drive
30	56265650	1	Shoe/Latch Assembly-16	61	56329145	1	Clamp Hose Sae 24 E00047
30a	56009247	2	Scr. Pan Phil Plastite 10-14x .38	62	56381838	1	Tube Alum 1 1/2 Od X 4
30b	56265538	1	Shoe Assembly-16	63	56003221	2	Scr-Hex Loc SS 1/4-20 x .75 TSB-FC-2016-269
30c	56265796	1	Latch-Shoe				
30d	1326a	2	Washer Flat S.S 10 X11/1				
30e	54196a	1	Spring Extension				

NOTE 1: To replace, order Clamp Kit 9096380000.

SOLUTION SYSTEM 16ST-2

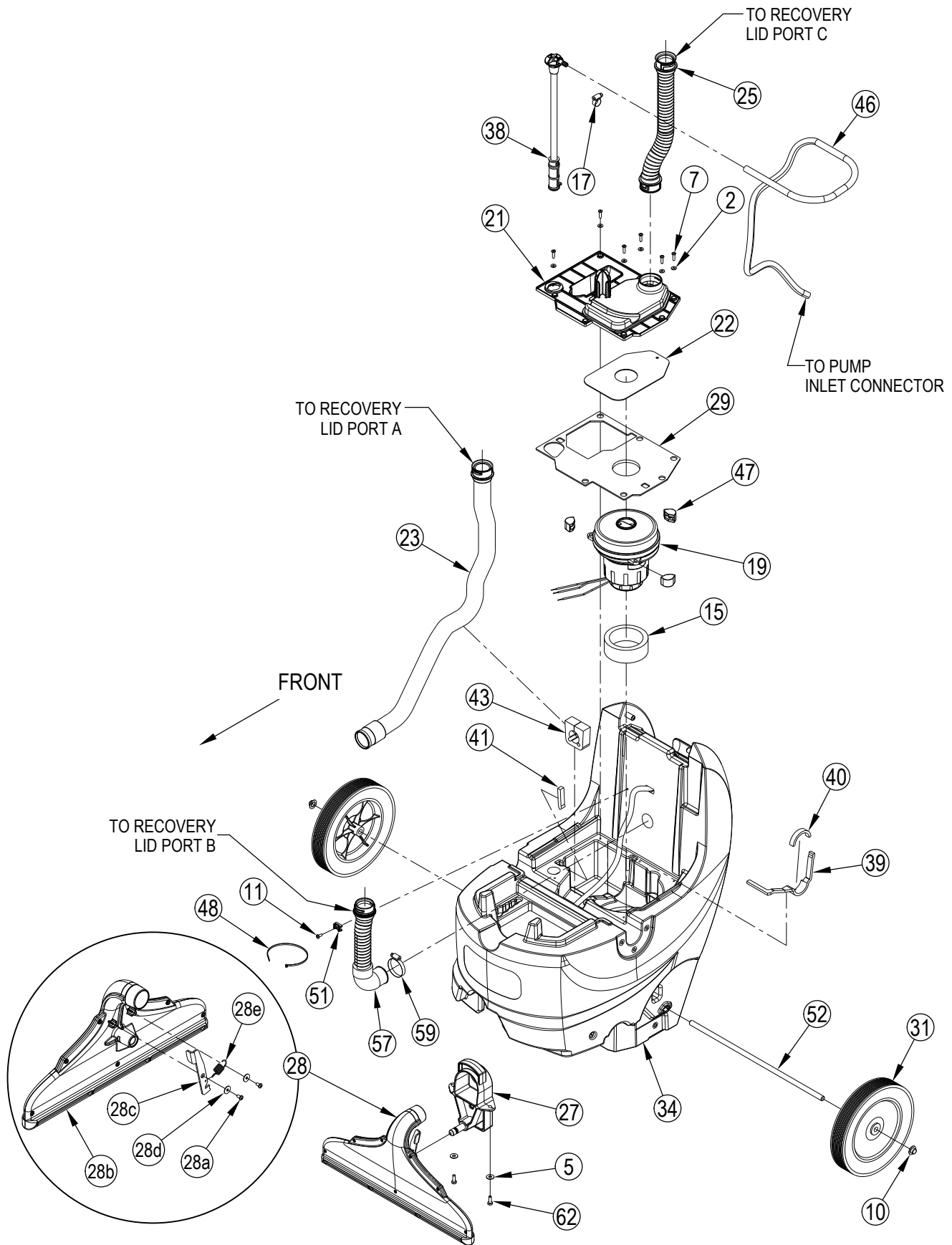


SOLUTION SYSTEM 16ST-2

Item	Ref. No.	Qty	Description	Item	Ref. No.	Qty	Description
1	832803	1	Elbow-5/8 Hose	31	56265665	1	Gasket-Vac Motor Cover
2	56001954	8	Wsh, Flt Sae #10	32			Intentionally Omitted
3	56003897	7	Scr-Pan Phil Loc Ss 1/4-20 X .50	33	56265697	2	Wheel-10.00x1.75x.50
4	56002624	1	Scr-Soc Shd .38 X 1.25 X 5/16-18	34	56265704	1	Hook-Hose Storage
5	56003913	2	Scr-Pan Phil Loc Ss 10-24 X .38	35	56265705	1	Socket-Quick Disconnect-1/8 Npt
6	56002914	2	Wsh, Flt Std Ss 1/4	36	56265706	1	Tank-Solution-16-Blue
7	56002958	2	Scr-Pan Phil Ss 1/4-20 X 1.25	37	56265708	1	Hose Assembly-Solution
8	56003091	7	Scr. Pan Phil Plastite 10-14 X .75	38	56265712	1	Coupler-Barb-5/8
9	56009022	1	Wsh, Flt .754 X 1.250 X .120	39	56265722	1	Gasket-Back Panel
10	56009043	2	Scr Pan Phil Thd Form10-24x.75	40	56265725	1	Solution Filter Assembly-16
11	56009097	2	Nut, Push Cap 1/2	41	56265732	1	Gasket-Vac Exhaust Chamber
12	56009191	4	Scr. Pan Phil Plastite 10-14 X .50	42	56265733	1	Gasket-Vac Exhaust Port
13	56052237	2	Spacer, Phenolic	43	56265734	1	Gasket-Vac Chamber-Side
14	56056903	1	Clamp-P	44	56265735	1	Gasket-Backpanel-Bottom
15	56109503	1	Double Barb Assy	45	56265739	1	Gasket-Sound-Vac Hose
16	56116110	1	Seal-Inlet	46			Intentionally Omitted
17	56116721	2	Grommet-.59x.78x.62	47	56265766	1	Hose-Spiral-.500 X 52.00
18	56219932	2	Clamp- Hose Sae #6	48	56315141	3	Mount, Vibration
19	56265057	1	Axle	49	56265745	1	Hose-PVC-.63 x .88 x 20.60
20	56265373	1	Hose .25x21.0 E00160	50	56478523	2	Tie, Cable
21	56265552	1	Motor-Vacuum-120v M2	51	56756364	2	Clamp- Hose Sae #4
	56265683	1	Carbon Brush Kit-Set of 2 (for 56265552)	52	56109566	1	Barb, 90 Elbow 1/2 X 3/8npt
22	56265554	1	Pump-115vac-120psi M1	53	9096595000	1	Flat Tie Holder
23	56265582	1	Cover-Vac Motor	54	56112771	1	Clamp- Hose Sae #10
24	56265583	1	Plate-Vac Motor	55	56265787	1	Boot-Pump
25	56265586	1	Vac Hose Assembly	56	56265789	1	Gasket-Vac-Inlet Cover
26	56265617	1	Cover-Vac Inlet	57			Clamp-Hose NOTE 1
27	56265625	1	Hose Assembly	58	56055989	1	Cuff Hose
28	56265631	1	Cover-Back	59	56265626	1	Vac Hose Assembly-W/Elbow
29	56265646	1	Bracket-Shoe	60	56265791	1	Clamp-Hose Keyed Worm Drive
30	56265650	1	Shoe/Latch Assembly-16	61	56329145	1	Clamp Hose Sae 24 E00047
30a	56009247	2	Scr. Pan Phil Plastite 10-14x .38	62	56381838	1	Tube Alum 1 1/2 Od X 4
30b	56265538	1	Shoe Assembly-16	63	56003221	2	Scr-Hex Loc SS 1/4-20 x .75 TSB-FC-2016-269
30c	56265796	1	Latch-Shoe				
30d	1326a	2	Washer Flat S.S 10 X11/1				
30e	54196a	1	Spring Extension				

NOTE 1: To replace, order Clamp Kit 9096380000.

SOLUTION SYSTEM 18LX-1

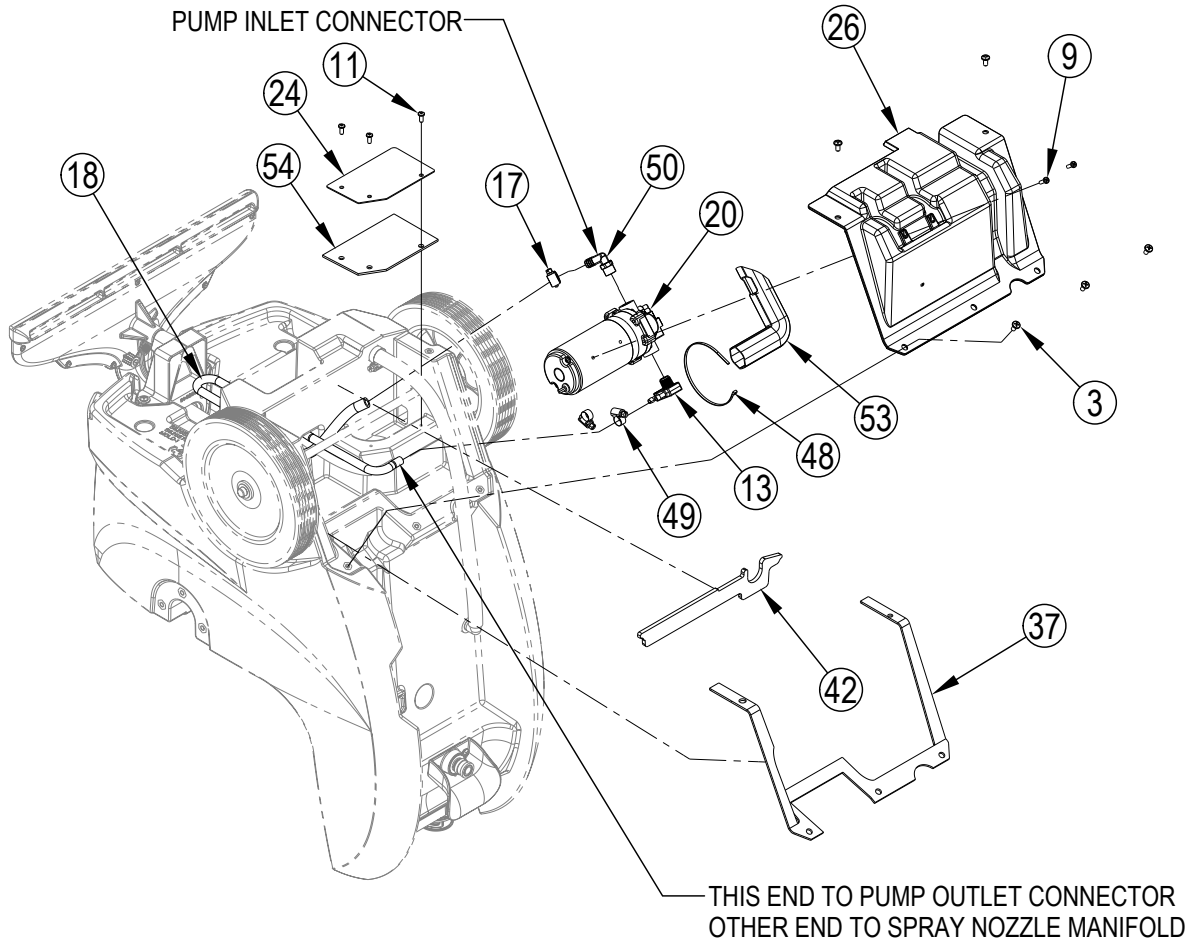
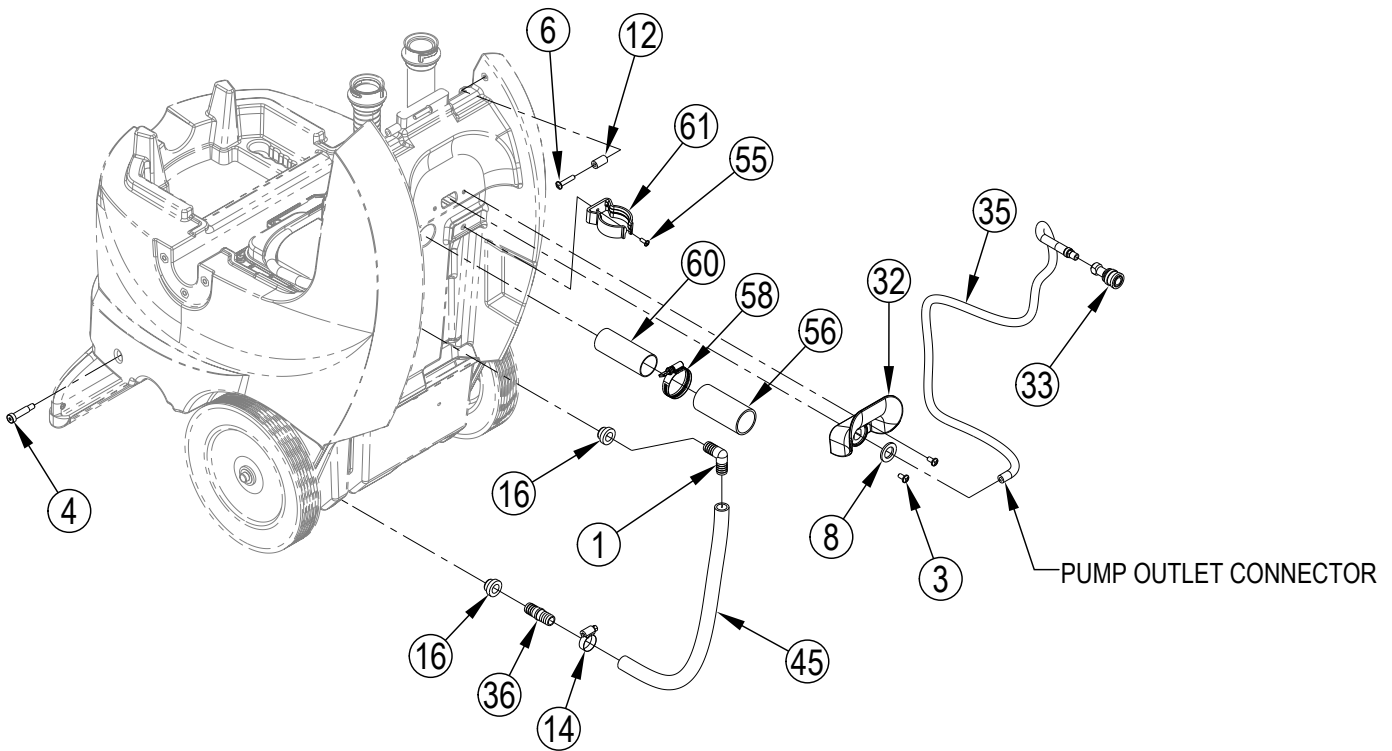


SOLUTION SYSTEM 18LX-1

Item	Ref. No.	Qty	Description	Item	Ref. No.	Qty	Description
1	832803	1	Elbow-5/8 Hose	29	56265665	1	Gasket-Vac Motor Cover
2	56001954	6	Wsh, Flt Sae #10	30			Intentionally Omitted
3	56003897	7	Scr-Pan Phil Loc Ss 1/4-20 X .50	31	56265697	2	Wheel-10.00x1.75x.50
4	56002624	1	Scr-Soc Shd .38 X 1.25 X 5/16-18	32	56265704	1	Hook-Hose Storage
5	56002914	2	Wsh, Flt Std Ss 1/4	33	56265705	1	Socket-Quick Disconnect-1/8 Npt
6	56002958	2	Scr-Pan Phil Ss 1/4-20 X 1.25	34	56265707	1	Tank-Solution-18-Blue
7	56003091	6	Scr. Pan Phil Plastite 10-14 X .75	35	56265708	1	Hose Assembly-Solution
8	56009022	1	Wsh, Flt .754 X 1.250 X .120	36	56265712	1	Coupler-Barb-5/8
9	56009043	2	Scr Pan Phil Thd Form10-24x.75	37	56265722	1	Gasket-Back Panel
10	56009097	2	Nut, Push Cap 1/2	38	56265726	1	Solution Filter Assembly-18
11	56009191	4	Scr. Pan Phil Plastite 10-14 X .50	39	56265732	1	Gasket-Vac Exhaust Chamber
12	56052237	2	Spacer, Phenolic	40	56265733	1	Gasket-Vac Exhaust Port
13	56109503	1	Double Barb Assy	41	56265734	1	Gasket-Vac Chamber-Side
14	56112771	1	Clamp- Hose Sae #10	42	56265735	1	Gasket-Backpanel-Bottom
15	56116110	1	Seal-Inlet	43	56265739	1	Gasket-Sound-Vac Hose
16	56116721	2	Grommet-.59x.78x.62	44			Intentionally Omitted
17	56219932	2	Clamp- Hose Sae #6	45	56265745	1	Hose-Pvc-5/8x20.60
18	56265373	1	Hose .25x21.0 E00160	46	56265766	1	Hose-Spiral-.500 X 52.00
19	56265552	1	Motor-Vacuum-120v M2	47	56315141	3	Mount, Vibration
	56265683	1	Carbon Brush Kit-Set of 2 (for 56265552)	48	56478523	2	Tie, Cable
20	56265554	1	Pump-115vac-120psi M1	49	56756364	2	Clamp- Hose Sae #4
21	56265582	1	Cover-Vac Motor	50	56109566	1	Barb .90 Elbow 1/2 X 3/8npt
22	56265583	1	Plate-Vac Motor	51	9096595000	1	Flat Tie Holder
23	56265586	1	Vac Hose Assembly	52	910-1863	1	Axel Rod Zinc Plated 1/2 Ro
24	56265617	1	Cover-Vac Inlet	53	56265787	1	Boot-Pump
25	56265625	1	Hose Assembly	54	56265789	1	Gasket-Vac-Inlet Cover
26	56265631	1	Cover-Back	55	56003913	2	Scr-Pan Phil Loc Ss 10-24 X .38
27	56265646	1	Bracket-Shoe	56	56055989	1	Cuff Hose
28	56265662	1	Shoe/Latch Assembly-18	57	56265626	1	Vac Hose Assembly-W/Elbow
28a	56009247	2	Scr. Pan Phil Plastite 10-14x .38	58	56265791	1	Clamp-Hose Keyed Worm Drive
28b	56265538	1	Shoe Assembly-16	59	56329145	1	Clamp Hose Sae 24 E00047
28c	56265796	1	Latch-Shoe	60	56381838	1	Tube Alum 1 1/2 Od X 4
28d	1326a	2	Washer Flat S.S 10 X11/1	61		1	Clamp-Hose NOTE 1
28e	54196a	1	Spring Extension	62	56003221	2	Scr-Hex Loc SS 1/4-20 x .75 TSB-FC-2016-269

NOTE 1: To replace, order Clamp Kit 9096380000.

SOLUTION SYSTEM 18LX-2

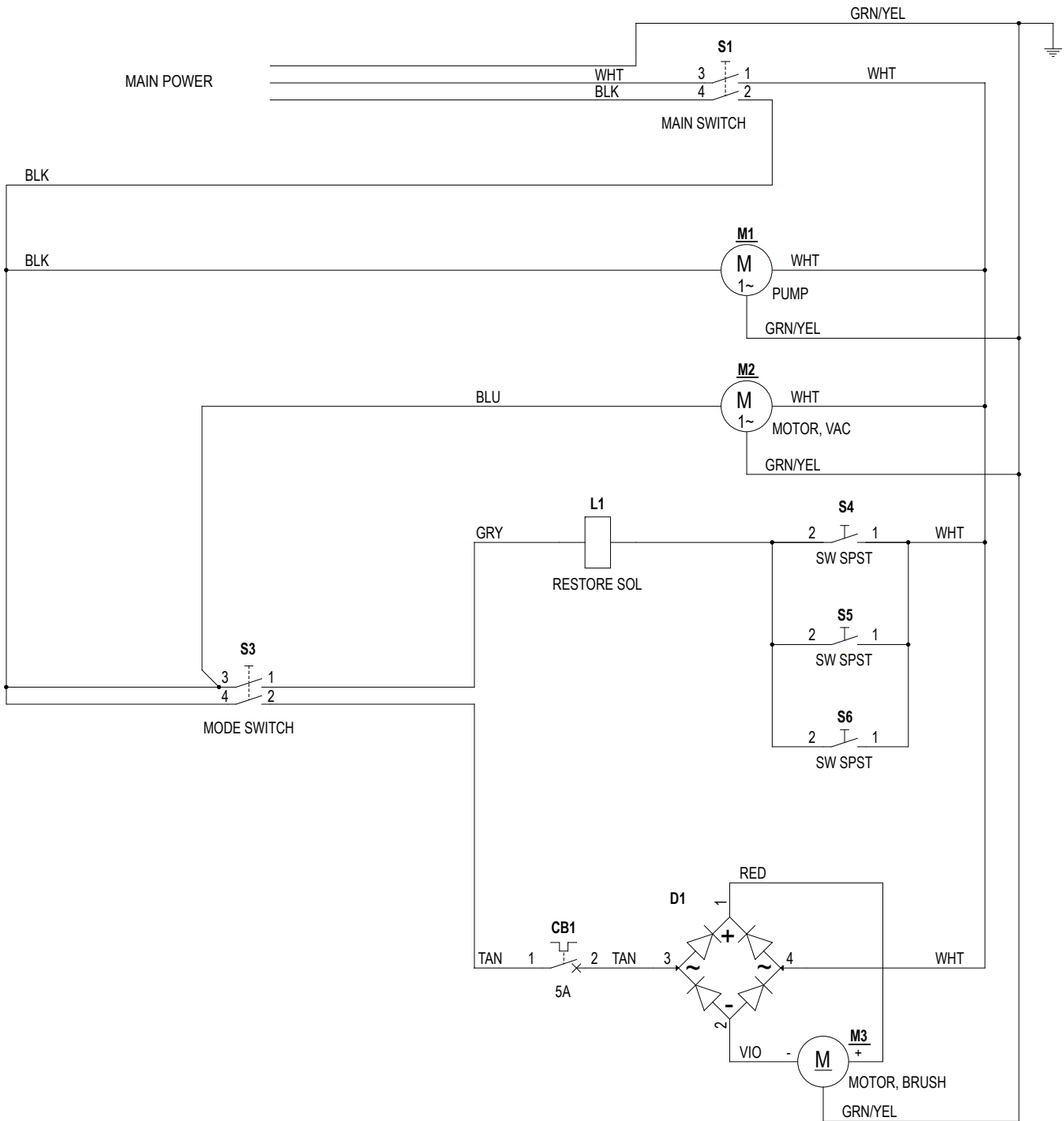


SOLUTION SYSTEM 18LX-2

Item	Ref. No.	Qty	Description	Item	Ref. No.	Qty	Description
1	832803	1	Elbow-5/8 Hose	29	56265665	1	Gasket-Vac Motor Cover
2	56001954	6	Wsh, Flt Sae #10	30			Intentionally Omitted
3	56003897	7	Scr-Pan Phil Loc Ss 1/4-20 X .50	31	56265697	2	Wheel-10.00x1.75x.50
4	56002624	1	Scr-Soc Shd .38 X 1.25 X 5/16-18	32	56265704	1	Hook-Hose Storage
5	56002914	2	Wsh, Flt Std Ss 1/4	33	56265705	1	Socket-Quick Disconnect-1/8 Npt
6	56002958	2	Scr-Pan Phil Ss 1/4-20 X 1.25	34	56265707	1	Tank-Solution-18-Blue
7	56003091	6	Scr. Pan Phil Plastite 10-14 X .75	35	56265708	1	Hose Assembly-Solution
8	56009022	1	Wsh, Flt .754 X 1.250 X .120	36	56265712	1	Coupler-Barb-5/8
9	56009043	2	Scr Pan Phil Thd Form10-24x.75	37	56265722	1	Gasket-Back Panel
10	56009097	2	Nut, Push Cap 1/2	38	56265726	1	Solution Filter Assembly-18
11	56009191	4	Scr. Pan Phil Plastite 10-14 X .50	39	56265732	1	Gasket-Vac Exhaust Chamber
12	56052237	2	Spacer, Phenolic	40	56265733	1	Gasket-Vac Exhaust Port
13	56109503	1	Double Barb Assy	41	56265734	1	Gasket-Vac Chamber-Side
14	56112771	1	Clamp- Hose Sae #10	42	56265735	1	Gasket-Backpanel-Bottom
15	56116110	1	Seal-Inlet	43	56265739	1	Gasket-Sound-Vac Hose
16	56116721	2	Grommet-.59x.78x.62	44			Intentionally Omitted
17	56219932	2	Clamp- Hose Sae #6	45	56265745	1	Hose-Pvc-5/8x20.60
18	56265373	1	Hose .25x21.0 E00160	46	56265766	1	Hose-Spiral-.500 X 52.00
19	56265552	1	Motor-Vacuum-120v M2	47	56315141	3	Mount, Vibration
	56265683	1	Carbon Brush Kit-Set of 2 (for 56265552)	48	56478523	2	Tie Cable
20	56265554	1	Pump-115vac-120psi M1	49	56756364	2	Clamp- Hose Sae #4
21	56265582	1	Cover-Vac Motor	50	56109566	1	Barb, 90 Elbow 1/2 X 3/8npt
22	56265583	1	Plate-Vac Motor	51	9096595000	1	Flat Tie Holder
23	56265586	1	Vac Hose Assembly	52	910-1863	1	Axel Rod Zinc Plated 1/2 Ro
24	56265617	1	Cover-Vac Inlet	53	56265787	1	Boot-Pump
25	56265625	1	Hose Assembly	54	56265789	1	Gasket-Vac-Inlet Cover
26	56265631	1	Cover-Back	55	56003913	2	Scr-Pan Phil Loc Ss 10-24 X .38
27	56265646	1	Bracket-Shoe	56	56055989	1	Cuff Hose
28	56265662	1	Shoe/Latch Assembly-18	57	56265626	1	Vac Hose Assembly-W/Elbow
28a	56009247	2	Scr. Pan Phil Plastite 10-14x .38	58	56265791	1	Clamp-Hose Keyed Worm Drive
28b	56265538	1	Shoe Assembly-16	59	56329145	1	Clamp Hose Sae 24 E00047
28c	56265796	1	Latch-Shoe	60	56381838	1	Tube Alum 1 1/2 Od X 4
28d	1326a	2	Washer Flat S.S 10 X11/1	61		1	Clamp-Hose NOTE 1
28e	54196a	1	Spring Extension	62	56003221	2	Scr-Hex Loc SS 1/4-20 x .75 TSB-FC-2016-269

NOTE 1: To replace, order Clamp Kit 9096380000.

LADDER DIAGRAM



LADDER DIAGRAM

<u>Item</u>	<u>Ref. No.</u>	<u>Qty</u>	<u>Description</u>
CB1	56265550	1	Circuit Breaker, 5 Amp
D1	56265103	1	Rectifier, 35 Amp
L1	56265746	1	Valve, Solenoid 115V
M1	56265554	1	Pump-115vac-120psi
M2	56265552	1	Motor-Vacuum-120v
	56265683		Carbon Brush Kit-(Set Of 2) for 56265552
M3	56265075	1	Motor, 115 Vdc, 1/3 Hp
S1	56265549	1	Switch-Rocker-Dpst
S3	56265549	1	Switch-Rocker-Dpst
S4	56265098	1	Switch, Spdt Snapaction
S5	56265098	1	Switch, Spdt Snapaction (18LX only)
S6	56265098	1	Switch, Spdt Snapaction (18LX only)

Color Codes

BLK	Black
BLU	Blue
BRN	Brown
GRA	Gray
GRN	Green
ORN	Orange
PINK	Pink
RED	Red
TAN	Tan
VIO	Violet
WHT	White
YEL	Yellow

OPTIONS & ACCESSORIES

Item	Ref. No.	Qty	Description
			Options
#	56265044	1	Brush Assembly 16 TSB-FC-2017-032
	56265175	1	Brush Assembly Blue 16 Hard
	56265176	1	Brush Assembly 240 Grit 16
#	56265099	1	Brush Assembly 18 TSB-FC-2017-032
	56265177	1	Brush Assembly Blue 18 Hard
	56265178	1	Brush Assembly 240 Grit 18
			Accessories
	56314402	1	Wand Assembly w/Soft and Hard Floor Tools
	56265173	1	Wand Assembly w/Soft Floor Tool
	56220070	1	Upholstery Hand Tool
	56265305	1	Drag Wand
	56265309	1	Plug Adaptor Kit
	56265174	1	15' Hose w/Waterline
	56265753	1	Hose Assy – 96 In.
	56265754	1	Hose Assy – 184 In.
	56265810	1	Hand Tool Add-On Kit
	56265814	1	Hand Tool No-Hose Add-On Kit
	56265675	1	Hard Floor Tool Assembly
	56044699	1	Literature Pack
			Brushes (See Brush Selector Guide)

= Revised or new since last update

BRUSH SELECTOR GUIDE

We provide brushes that will give you the best possible performance between machine and floor. Following are descriptions of the materials and their applications.

- Soft Nylon Brush:** Carpet cleaning brush also used on soft-finish floors where a more aggressive brush would leave scratch marks, or in applications requiring light cleaning.
- Stiff Nylon Brush (Blue):** Hard floor cleaning effective in cleaning most common surfaces.
- 240 Grit Brush:** Medium aggressive grit brush. Good all-around brush for medium to heavy buildup removal on hard floors.

16" BRUSHES

56265044 - Nylon
56265175 - Blue
56265176 - 240 Grit

18" BRUSHES

56265099 - Nylon
56265177 - Blue
56265178 - 240 Grit

CYLINDRICAL BRUSH APPLICATION GUIDE (SUGGESTION ONLY)

Application	Nylon	Blue	240 Grit
General Cleaning:			
Carpet Cleaning	X		
Concrete		X	X
Terrazzo	X	X	X
Ceramic/Quarry tile	X	X	X
Marble	X	X	X
Vinyl tile	X	X	X
Raised-rubber tile	X	X	X

Clarke®

9435 Winnetka Ave North
Minneapolis, MN 55445

www.clarkeus.com

Phone: 800-253-0367

Fax: 800-825-2753

©2017 Nilfisk, Inc.

A Nilfisk Brand